

DELLNER
GLASS SOLUTIONS

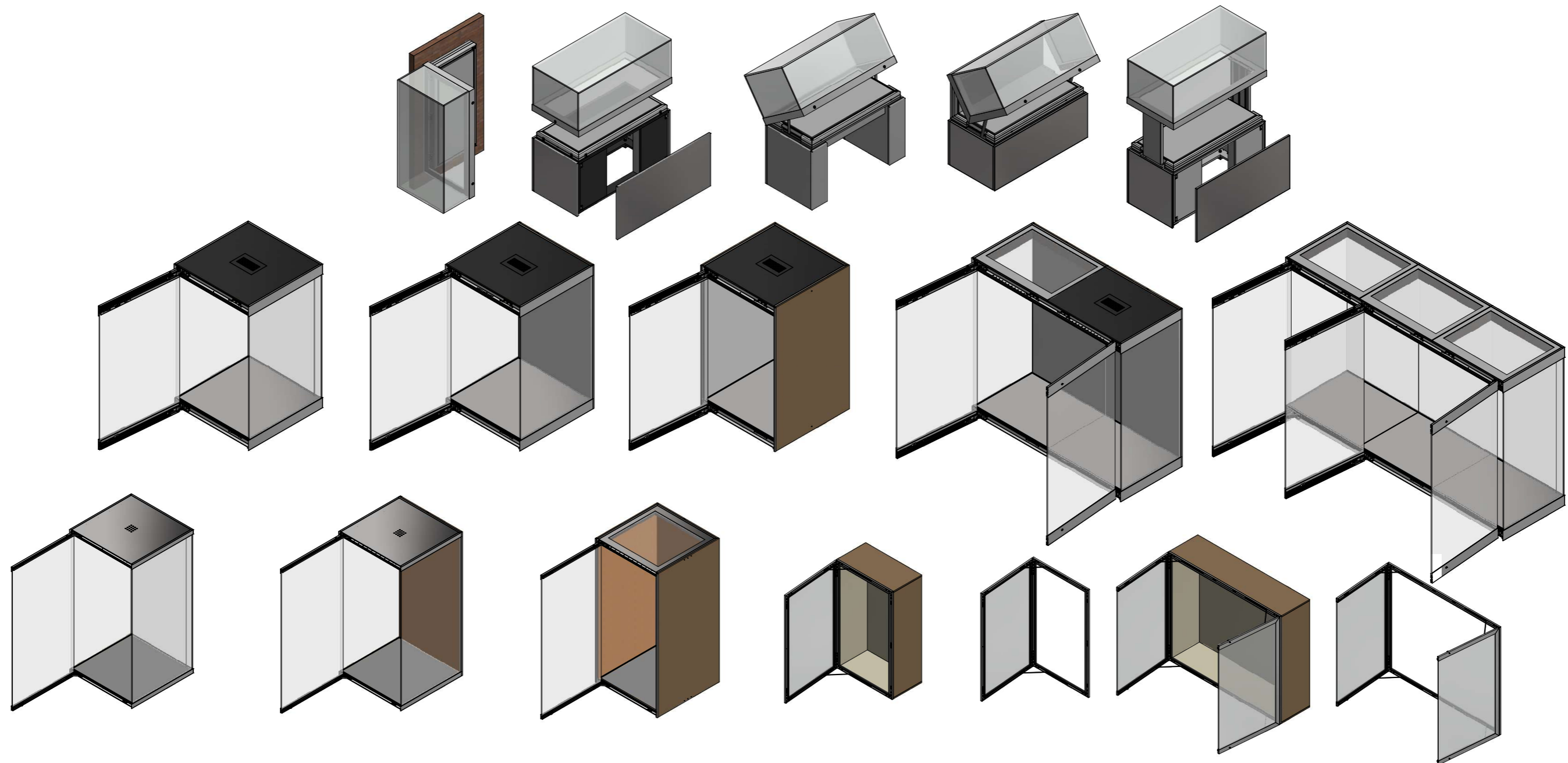
ARMOUR SYSTEMS®



museum showcases

The Museum Showcase Brochure

a guide for designers & specifiers

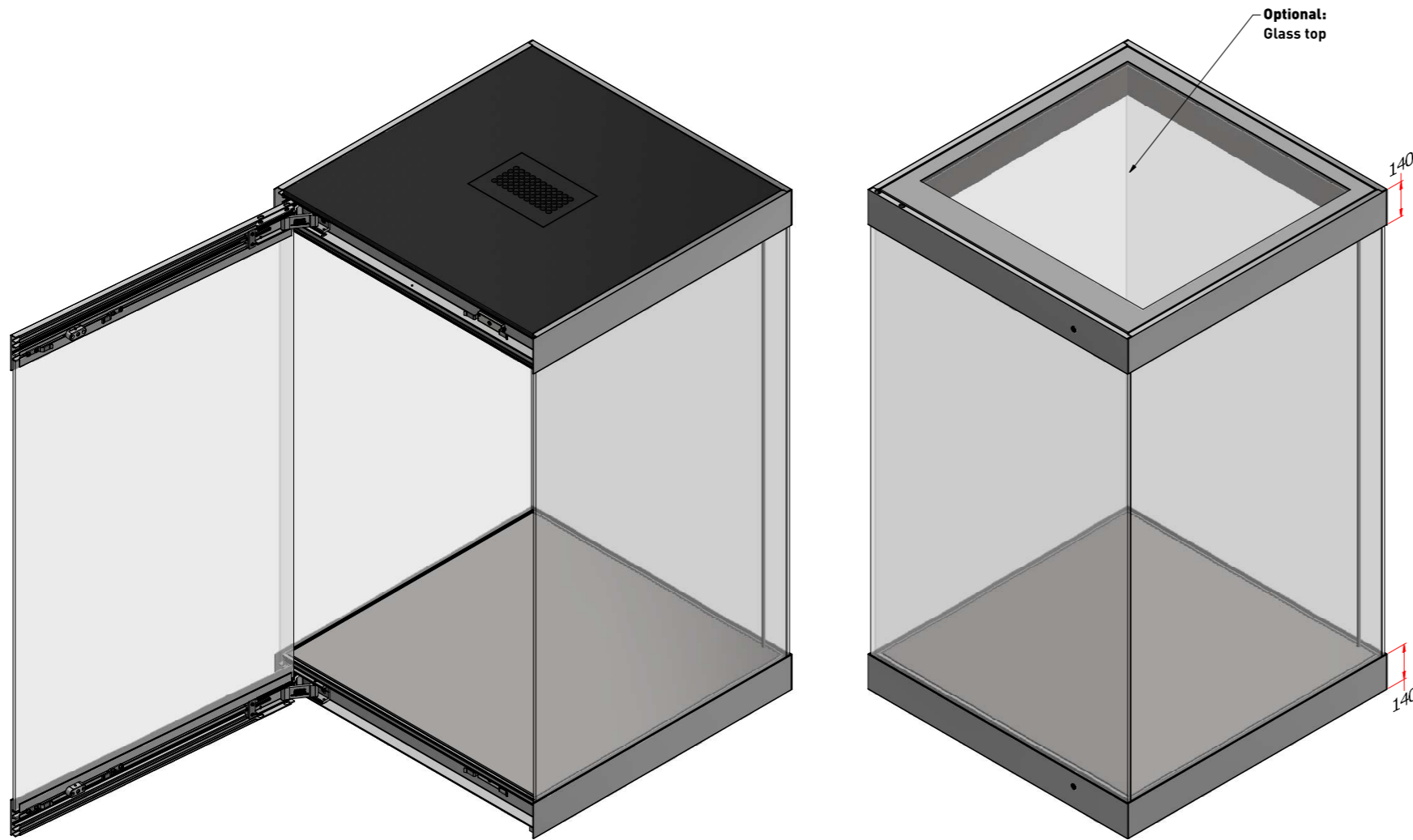


Museum showcase menu

1a	NOVA 140	High security conservation showcase with hinged door Glazed on 4 sides
1b	NOVA 140	High security conservation showcase with hinged door Glazed on 3 sides with solid back
1c	NOVA 140	High security conservation showcase with hinged door Glazed on 1 side with solid back and side panels
2a	NOVA 140	High security conservation showcase with single mechanism pull & slide door Glazed on 5 sides
2b	NOVA 140	High security conservation showcase with pull & slide door Glazed on 4 sides
3a	NOVA 140	Bespoke cases example (glass top)
3b	NOVA 140	Bespoke cases example (glass front & back solid sides) (glass front & side, solid back & side)
4a	NOVA 60	High security conservation showcase with hinged door Glazed on 4 sides
4b	NOVA 60	High security conservation showcase with hinged door Glazed on 3 sides with solid back
4c	NOVA 60	High security conservation showcase with hinged door Glazed on 1 side with solid back and side panels
5a	VISION	Plinth top high security conservation showcase - Lift-Off canopy Glazed on 5 sides
5b	VISION	Plinth top high security conservation showcase - Hinged canopy Glazed on 5 sides
5c	VISION	Plinth top high security conservation showcase - Electrically operated canopy Glazed on 5 sides
5d	VISION	Plinth top high security conservation showcase - Hinged canopy Glazed on 4 sides with solid back
5e	VISION	Wall mounted high security conservation showcase - Hinged canopy Glazed on 5 sides
6a	PROFRAME	High security conservation showcase - Hinged door to front Glazed on 1 side (For installation into structures or wall mounted)
7a	SHELVES	Suspended & cantilever shelves

NOVA 140

High security conservation showcase with hinged door
Glazed on 4 sides



Exterior frame finish:

- Polyester powder coated to any RAL colour

Glazing: All glazing supplied according to BS EN 356 (P4a)

- 11.5mm Low iron laminated glass

Optional:

- 11.5mm Low iron low reflective laminated glass
- 13.5mm Low iron laminated glass
- 13.5mm Low iron low reflective laminated glass

Interior dress panel:

- Fine roller painted ZFMDF (dacrylate sealed) to any RAL colour

Optional:

- Fabric finished to client's specification
- Folded metal finished to polyester powder coated to any RAL colour ref
- Corian
- Laminate finished to client's specification

Security:

- Abloy high security locks with espagnolette "T-bar"

Lighting:

- Low voltage LED lights

Shelving:

- Adjustable suspended system with 10mm toughened glass

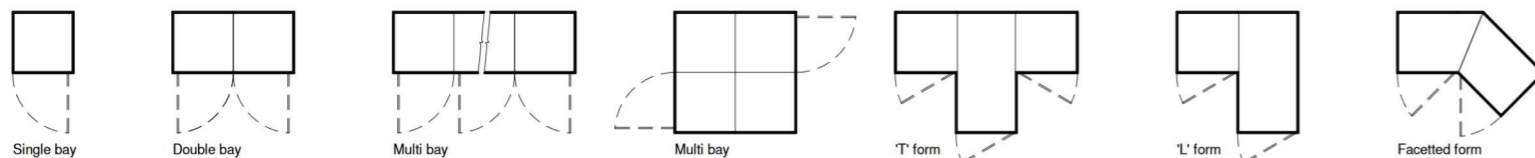
Conditioning:

- Lockable silica gel compartment

Optional:

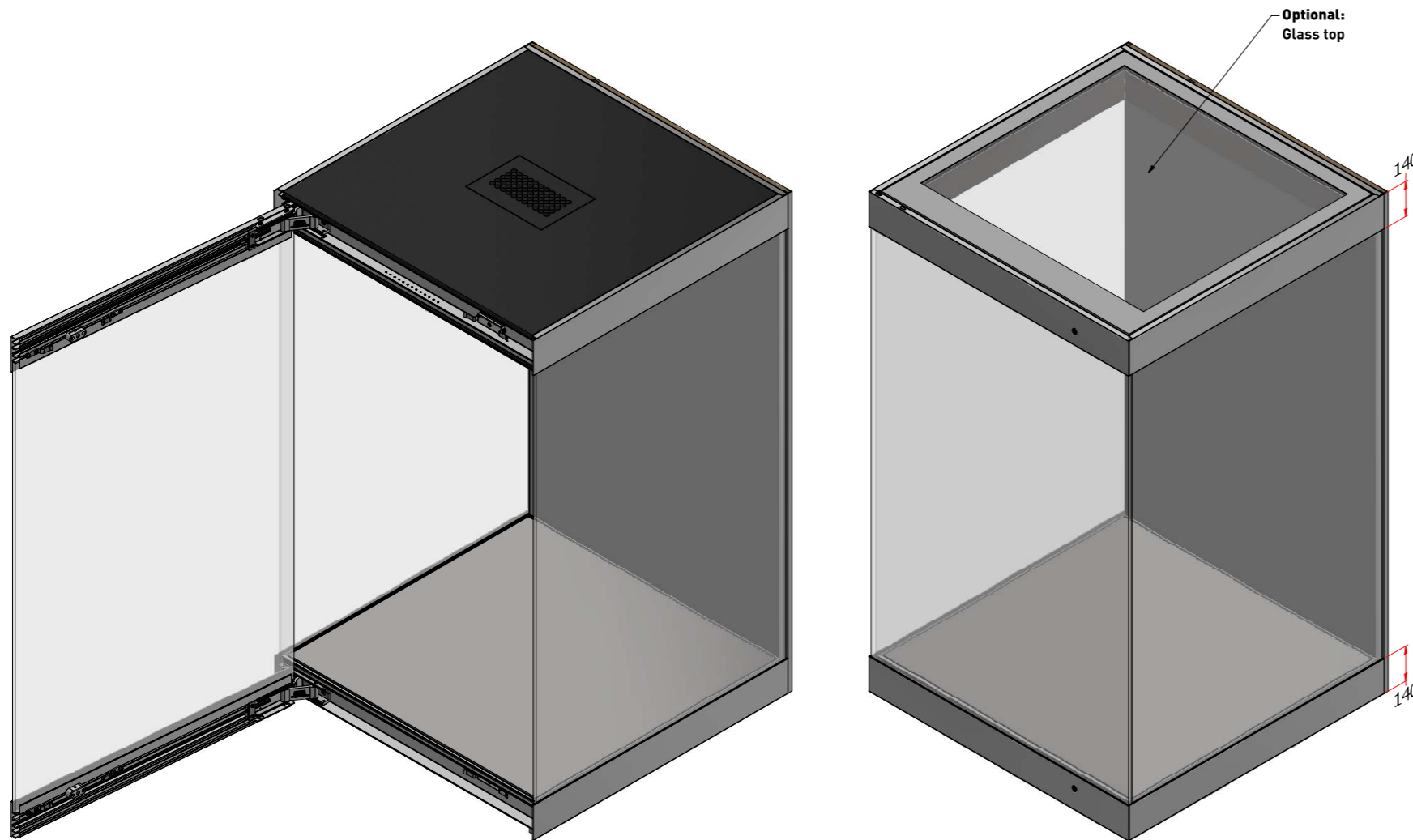
- Micro Climate AS 600 fan assisted silica gel system for larger volume showcases

Typical configurations



NOVA 140

High security conservation showcase with hinged door
Glazed on 3 sides with solid back



Exterior frame finish:

- Polyester powder coated to any RAL colour

Glazing: All glazing supplied according to BS EN 356 (P4a)

- 11.5mm Low iron laminated glass

Optional:

- 11.5mm Low iron low reflective laminated glass
- 13.5mm Low iron laminated glass
- 13.5mm Low iron low reflective laminated glass

Interior dress panel:

- Fine roller painted ZFMDF (dacrylate sealed) to any RAL colour

Optional:

- Fabric finished to client's specification
- Folded metal finished to polyester powder coated to any RAL colour ref
- Corian
- Laminate finished to client's specification

Security:

- Abloy high security locks with espagnolette "T-bar"

Lighting:

- Low voltage LED lights

Shelving:

- Adjustable suspended system with 10mm toughened glass
- Adjustable cantilever system with 10mm toughened glass shelves

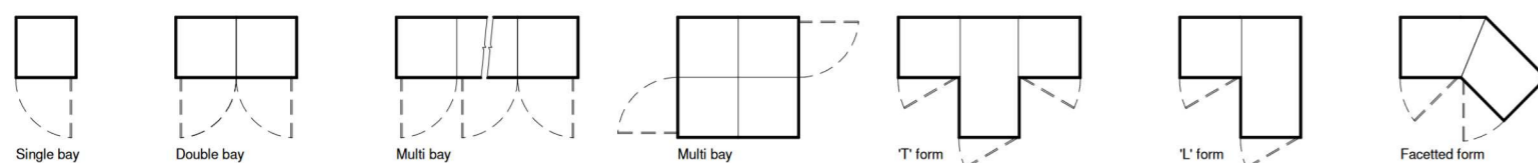
Conditioning:

- Lockable silica gel compartment

Optional:

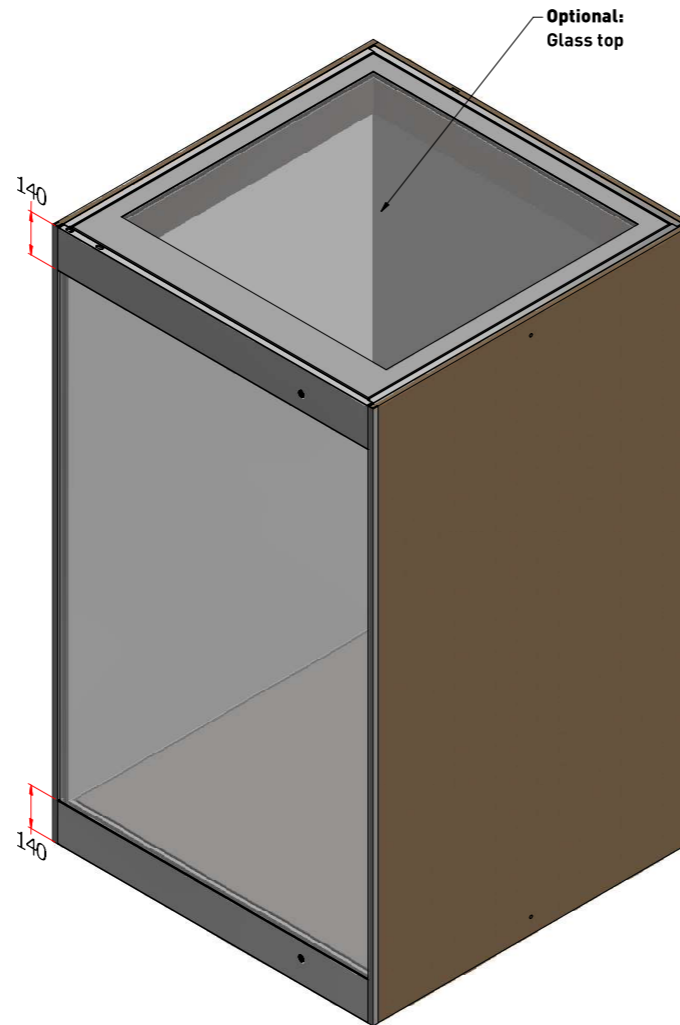
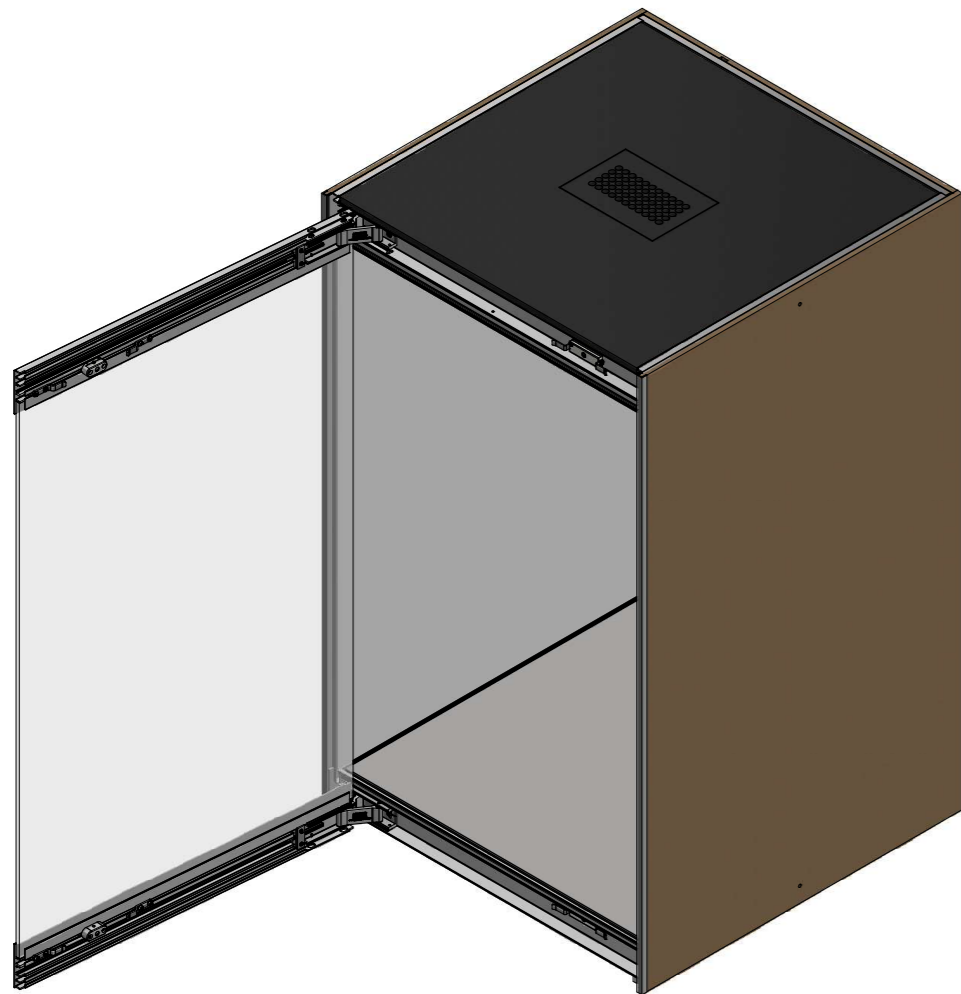
- Micro Climate AS 600 fan assisted silica gel system for larger volume showcases

Typical configurations



NOVA 140

High security conservation showcase with hinged door
Glazed on 1 side with solid back and side panels



Exterior frame finish:

- Polyester powder coated to any RAL colour

Glazing: All glazing supplied according to BS EN 356 (P4a)

- 11.5mm Low iron laminated glass

Optional:

- 11.5mm Low iron low reflective laminated glass
- 13.5mm Low iron laminated glass
- 13.5mm Low iron low reflective laminated glass

Interior dress panel:

- Fine roller painted ZFMDF (dacrylate sealed) to any RAL colour

Optional:

- Fabric finished to client's specification
- Folded metal finished to polyester powder coated to any RAL colour ref
- Corian
- Laminate finished to client's specification

Security:

- Abloy high security locks with espagnolette "T-bar"

Lighting:

- Low voltage LED lights

Shelving:

- Adjustable suspended system with 10mm toughened glass
- Adjustable cantilever system with 10mm toughened glass shelves

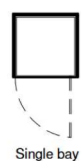
Conditioning:

- Lockable silica gel compartment

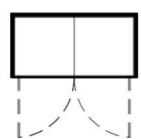
Optional:

- Micro Climate AS 600 fan assisted silica gel system for larger volume showcases

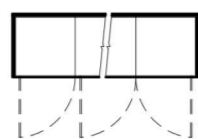
Typical configuration



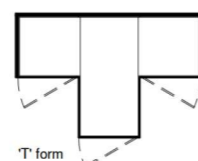
Single bay



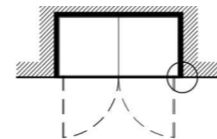
Double bay



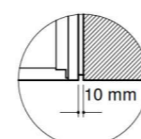
Multi bay



T' form



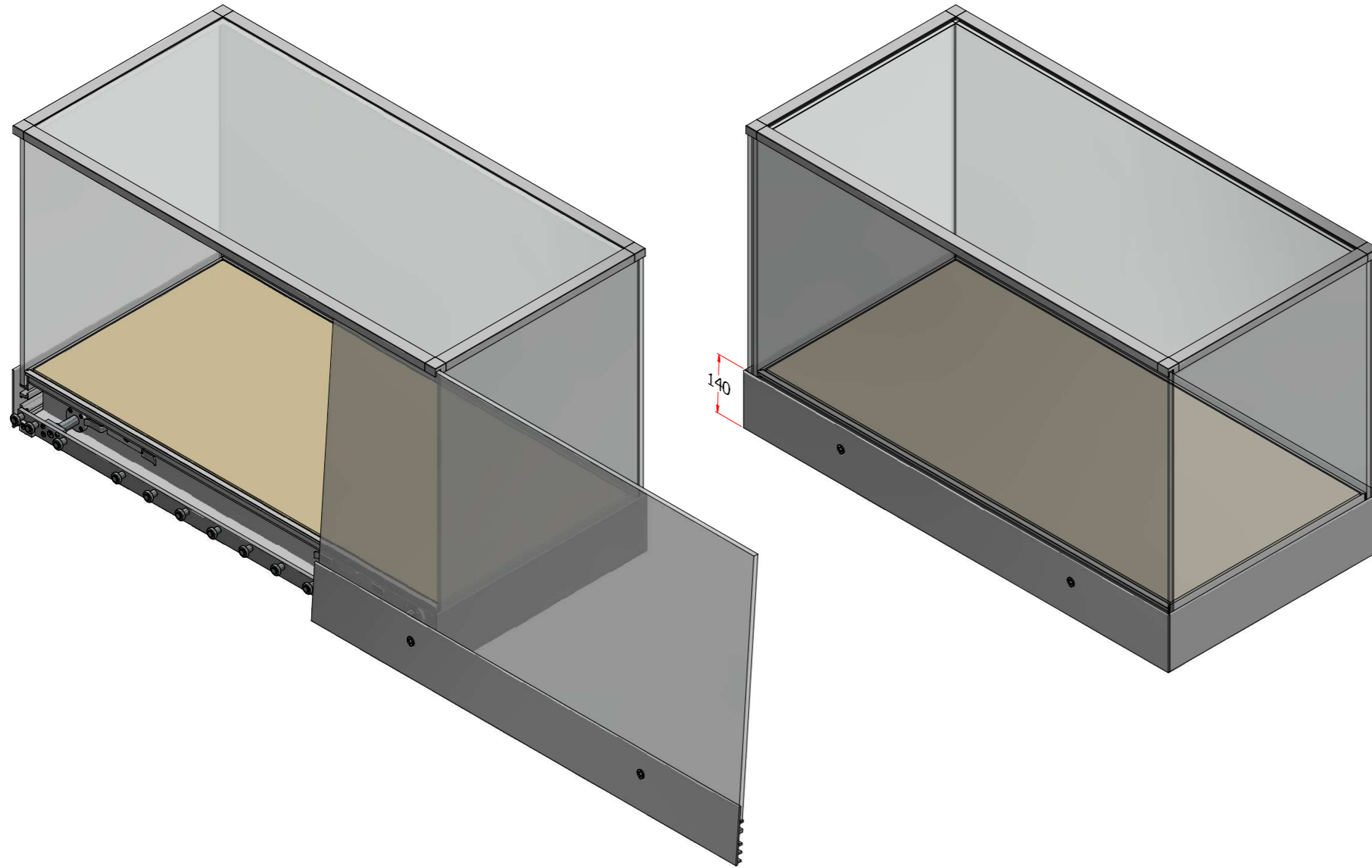
Showcase inset in wall



Detail of typical clearance between showcase & wall

NOVA 140 PULL & SLIDE

High security conservation showcase with single mechanism pull & slide door
Glazed on 5 sides



Exterior frame finish:

- Polyester powder coated to any RAL colour

Glazing: All glazing supplied according to BS EN 356 (P4a)

- 11.5mm Low iron laminated glass

Optional:

- 11.5mm Low iron low reflective laminated glass
- 13.5mm Low iron laminated glass
- 13.5mm Low iron low reflective laminated glass

Interior dress panel:

- Fine roller painted ZFMDF (dacrylate sealed) to any RAL colour

Optional:

- Fabric finished to client's specification
- Folded metal finished to polyester powder coated to any RAL colour ref
- Corian
- Laminate finished to client's specification

Security:

- Abloy high security locks with espagnolette "T-bar"

Lighting:

- Low voltage LED lights

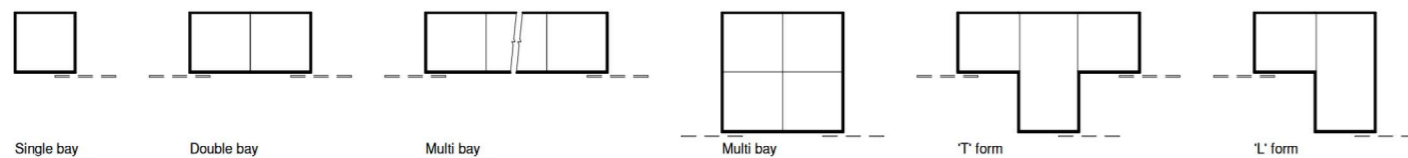
Conditioning:

- Lockable silica gel compartment

Optional:

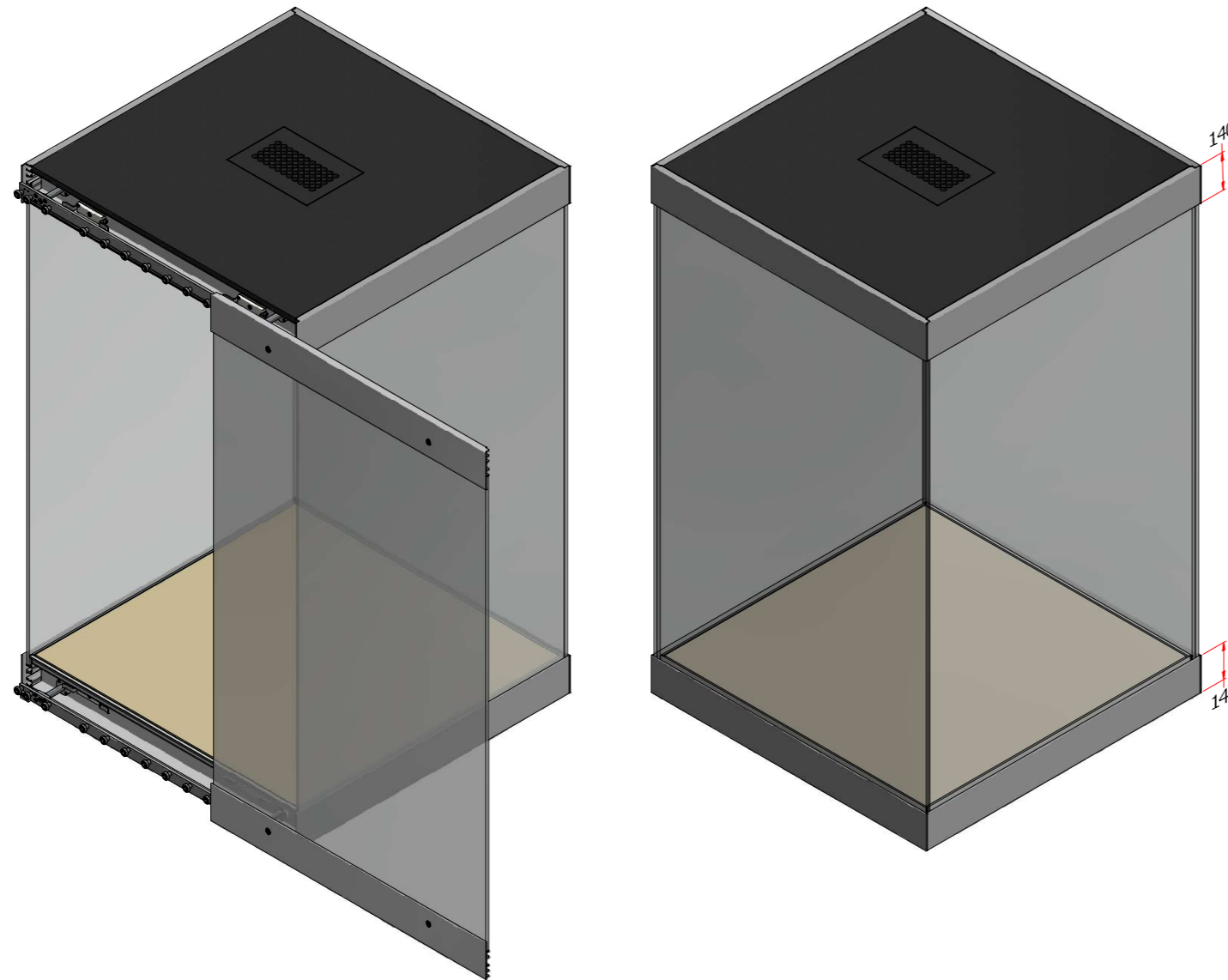
- Micro Climate AS 600 fan assisted silica gel system for larger volume showcases

Typical configuration



NOVA 140 PULL & SLIDE

High security conservation showcase with pull & slide door
Glazed on 4 sides



Exterior frame finish:

- Polyester powder coated to any RAL colour

Glazing: All glazing supplied according to BS EN 356 (P4a)

- 11.5mm Low iron laminated glass

Optional:

- 11.5mm Low iron low reflective laminated glass
- 13.5mm Low iron laminated glass
- 13.5mm Low iron low reflective laminated glass

Interior dress panel:

- Fine roller painted ZFMDF (dacrylate sealed) to any RAL colour

Optional:

- Fabric finished to client's specification
- Folded metal finished to polyester powder coated to any RAL colour ref
- Corian
- Laminate finished to client's specification

Security:

- Abloy high security locks with espagnolette "T-bar"

Lighting:

- Low voltage LED lights

Shelving:

- Adjustable suspended system with 10mm toughened glass
- Adjustable cantilever system with 10mm toughened glass shelves

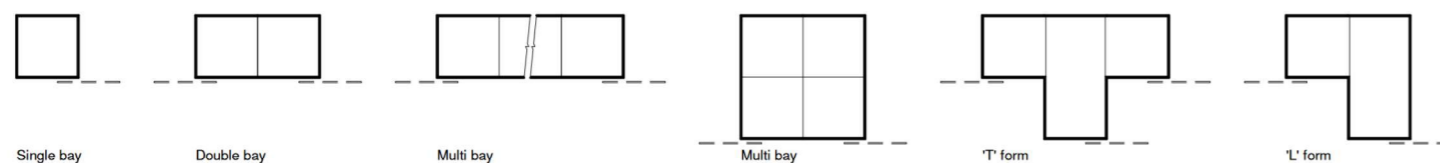
Conditioning:

- Lockable silica gel compartment

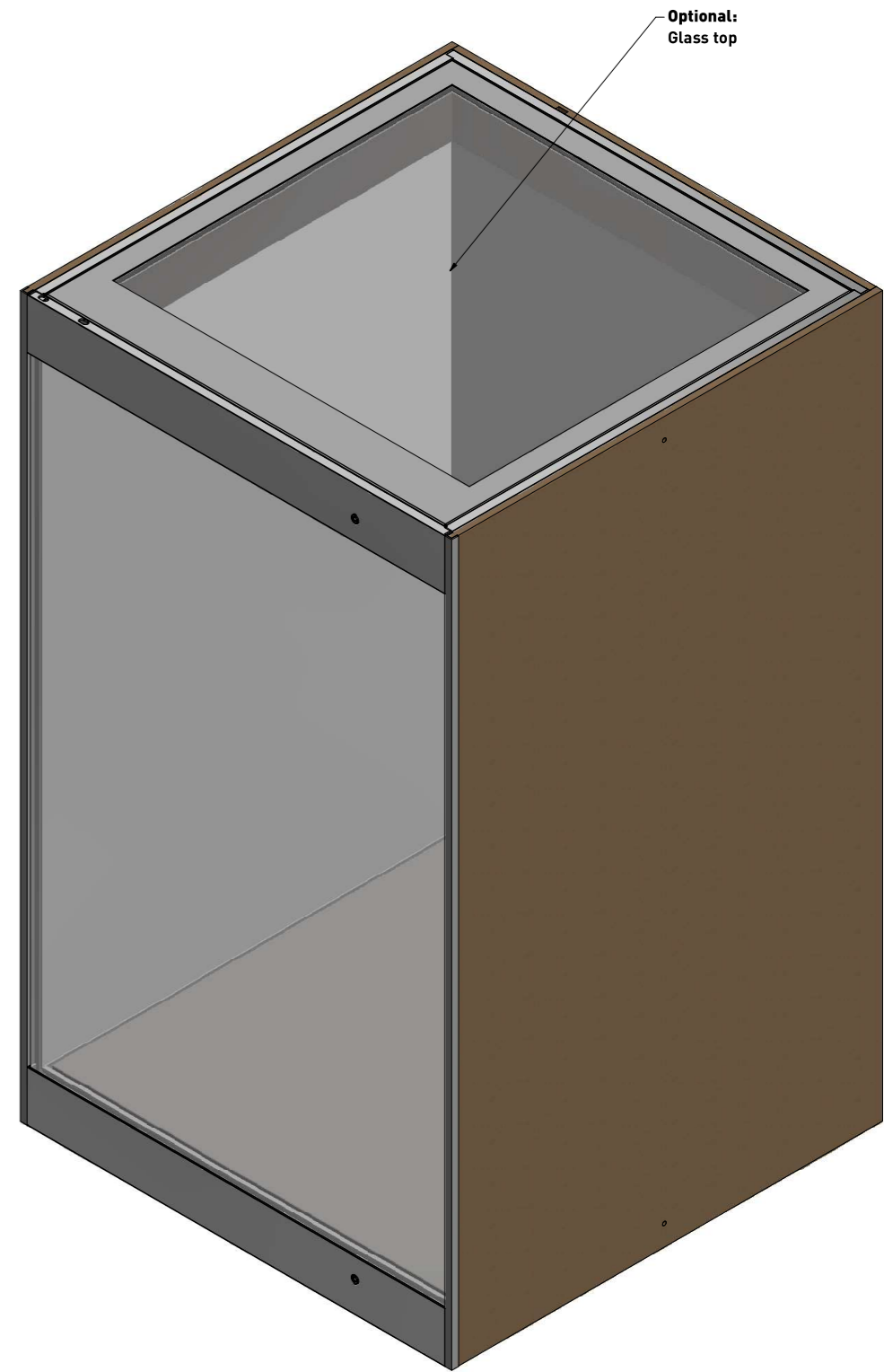
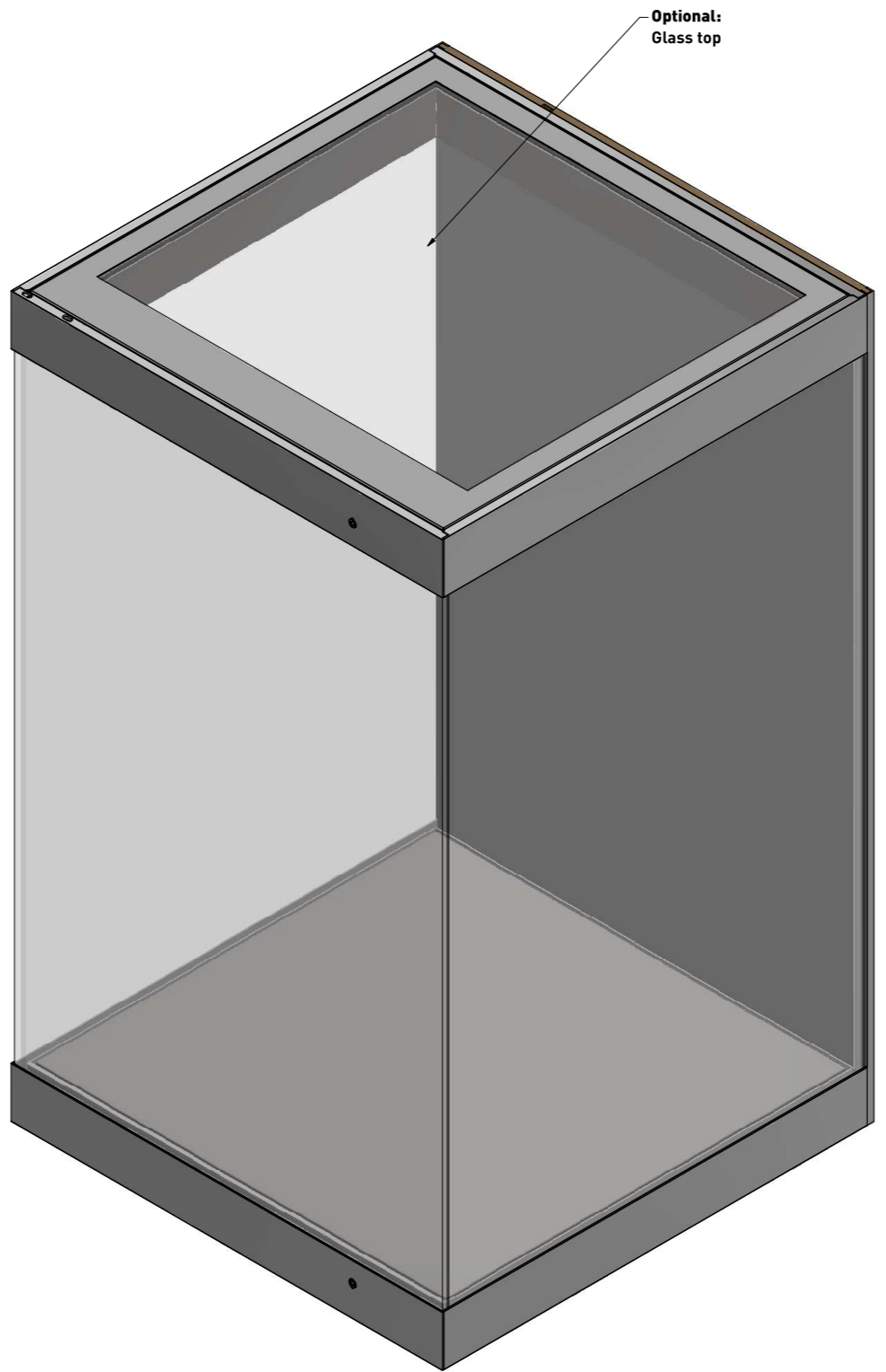
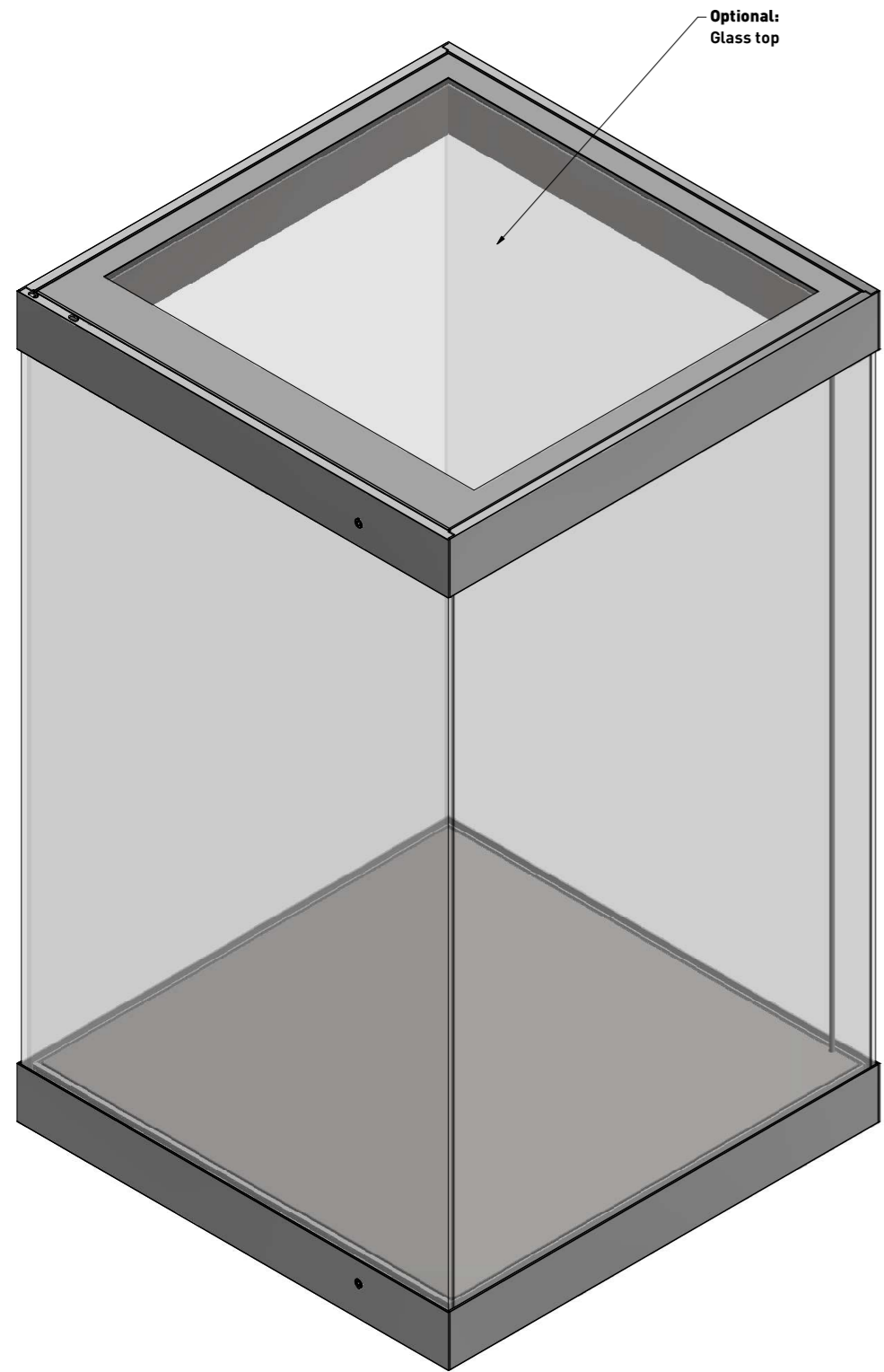
Optional:

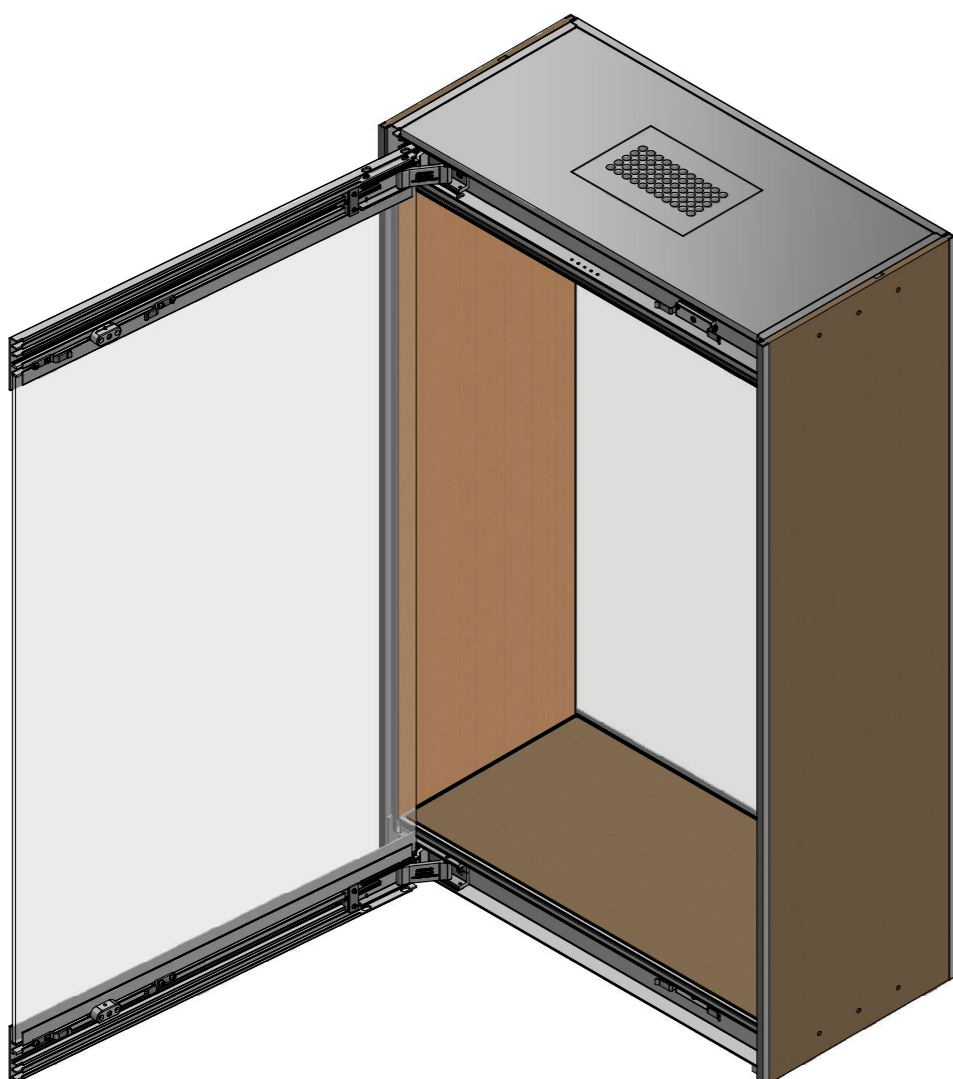
- Micro Climate AS 600 fan assisted silica gel system for larger volume showcases

Typical configuration

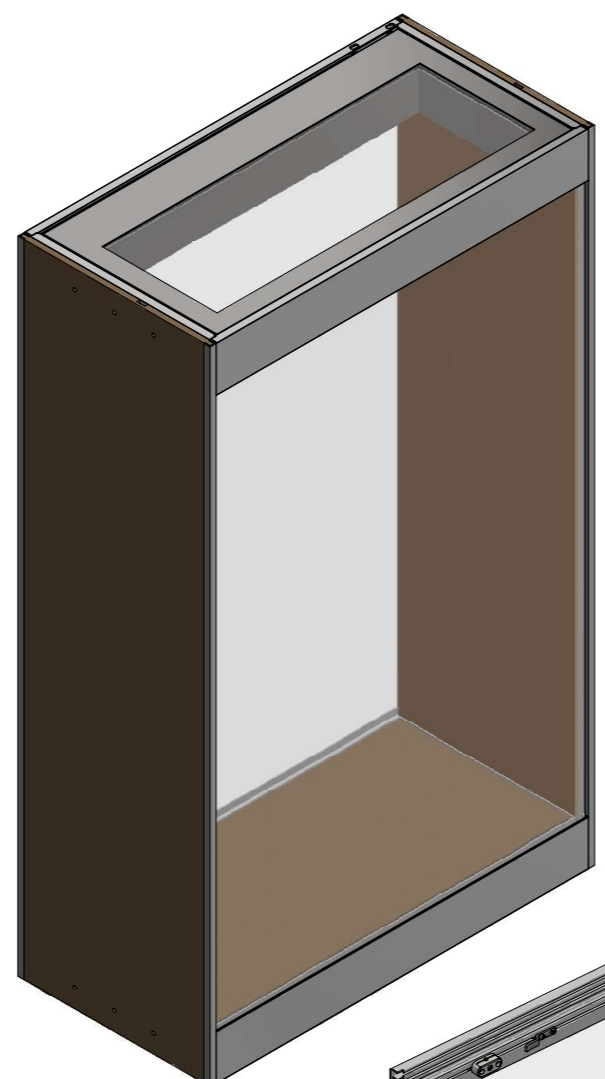


NOVA 140 GLASS TOP

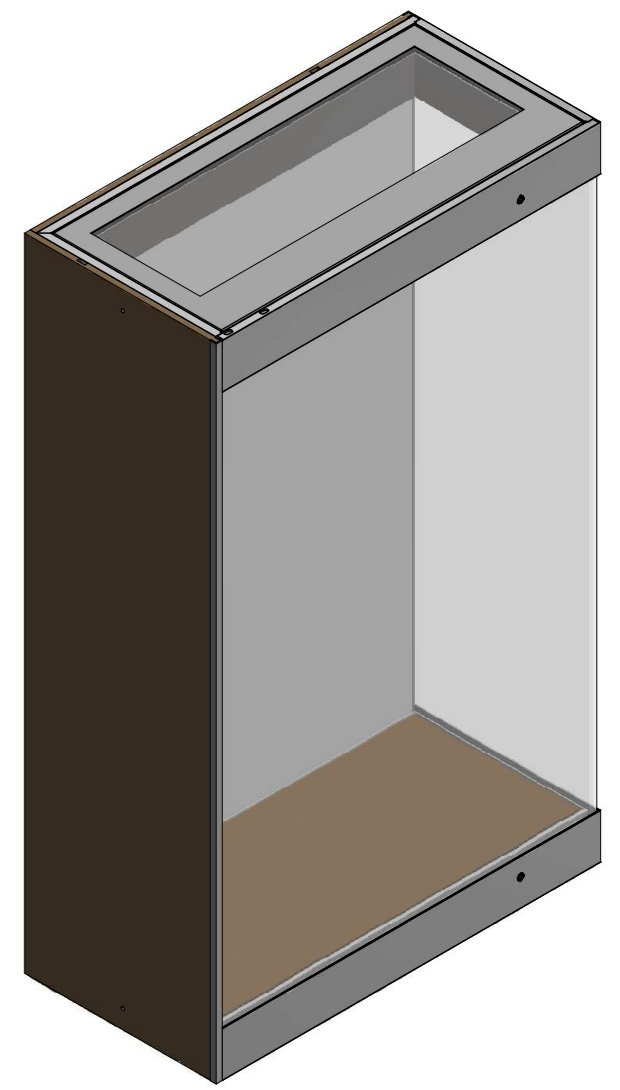
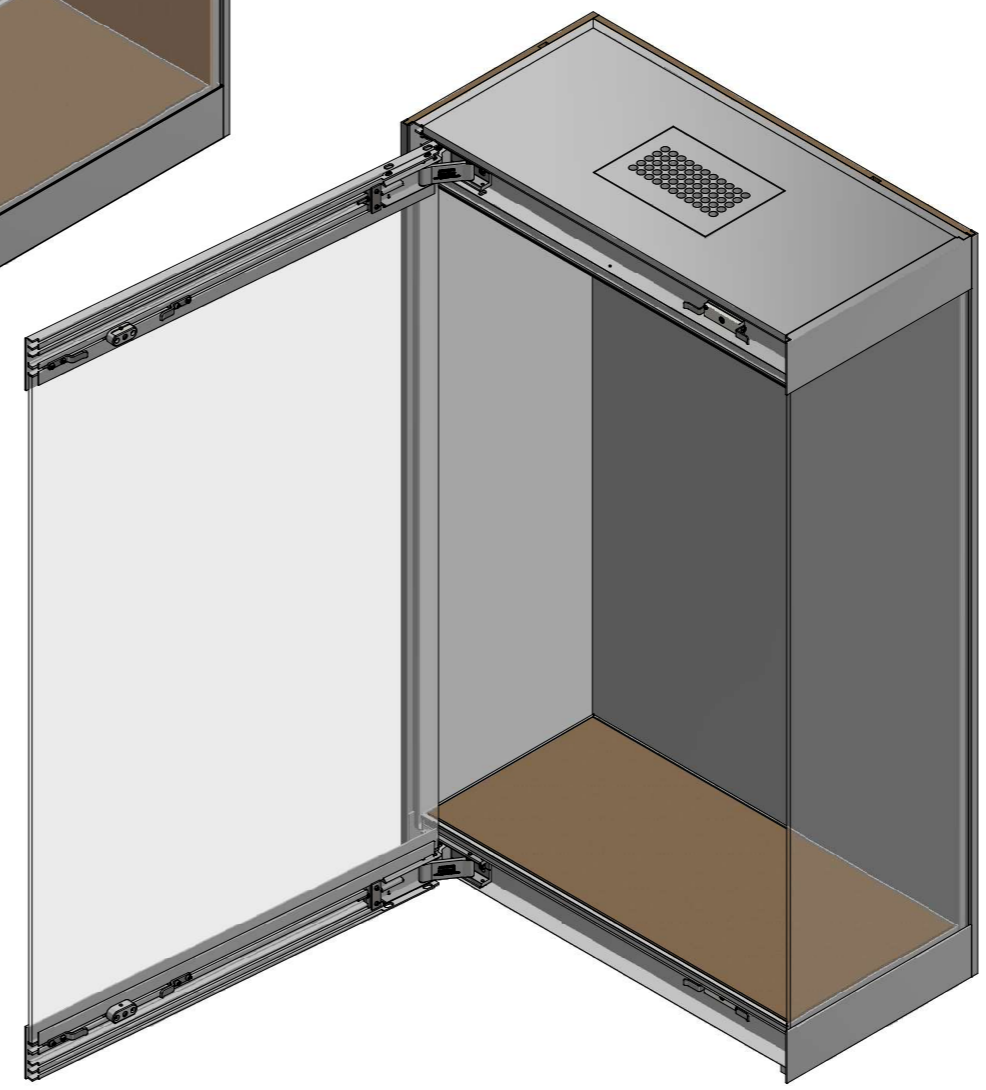




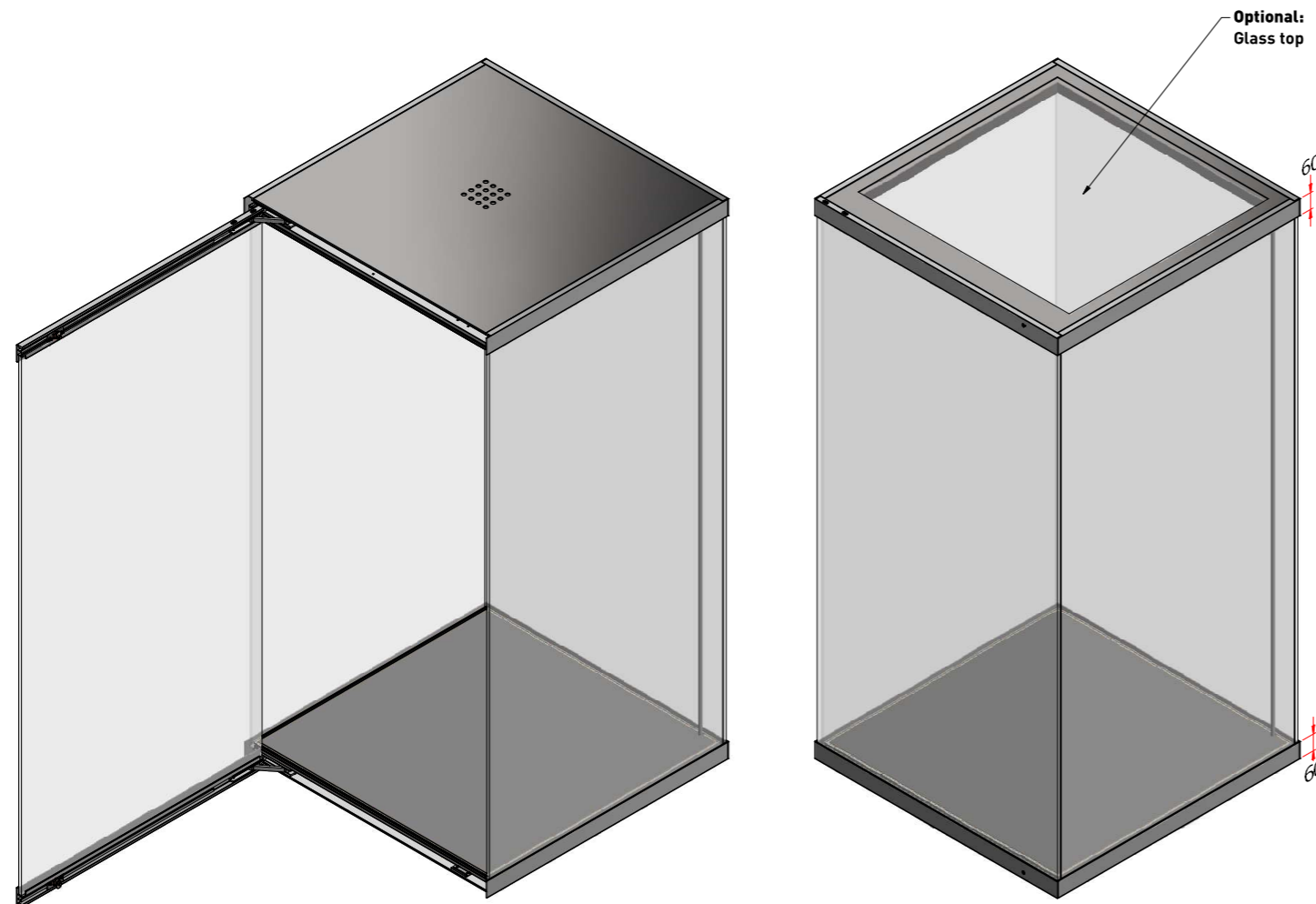
Glass front & back, solid sides



Glass front & solid back, solid side/glass side



High security conservation showcase with hinged door
Glazed on 4 sides



Exterior frame finish:

- Polyester powder coated to any RAL colour

Glazing: All glazing supplied according to BS EN 356 (P4a)

- 11.5mm Low iron laminated glass

Optional:

- 11.5mm Low iron low reflective laminated glass

Interior dress panel:

- Fine roller painted ZFMDF (dacrylate sealed) to any RAL colour

Optional:

- Fabric finished to client's specification
- Folded metal finished to polyester powder coated to any RAL colour ref
- Corian
- Laminate finished to client's specification

Security:

- Abloy high security cam lock

Lighting:

- Low voltage LED lights

Shelving:

- Adjustable suspended system with 10mm toughened glass

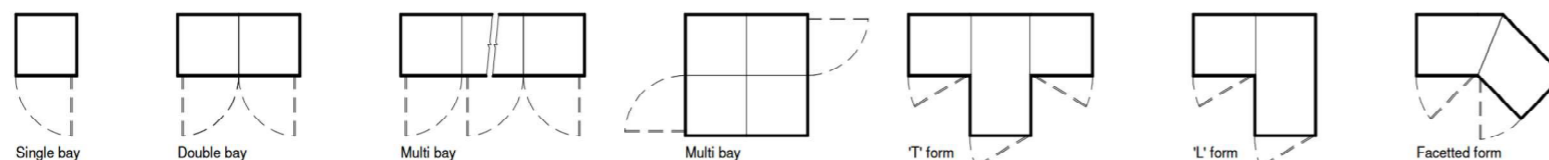
Conditioning:

- Lockable silica gel compartment

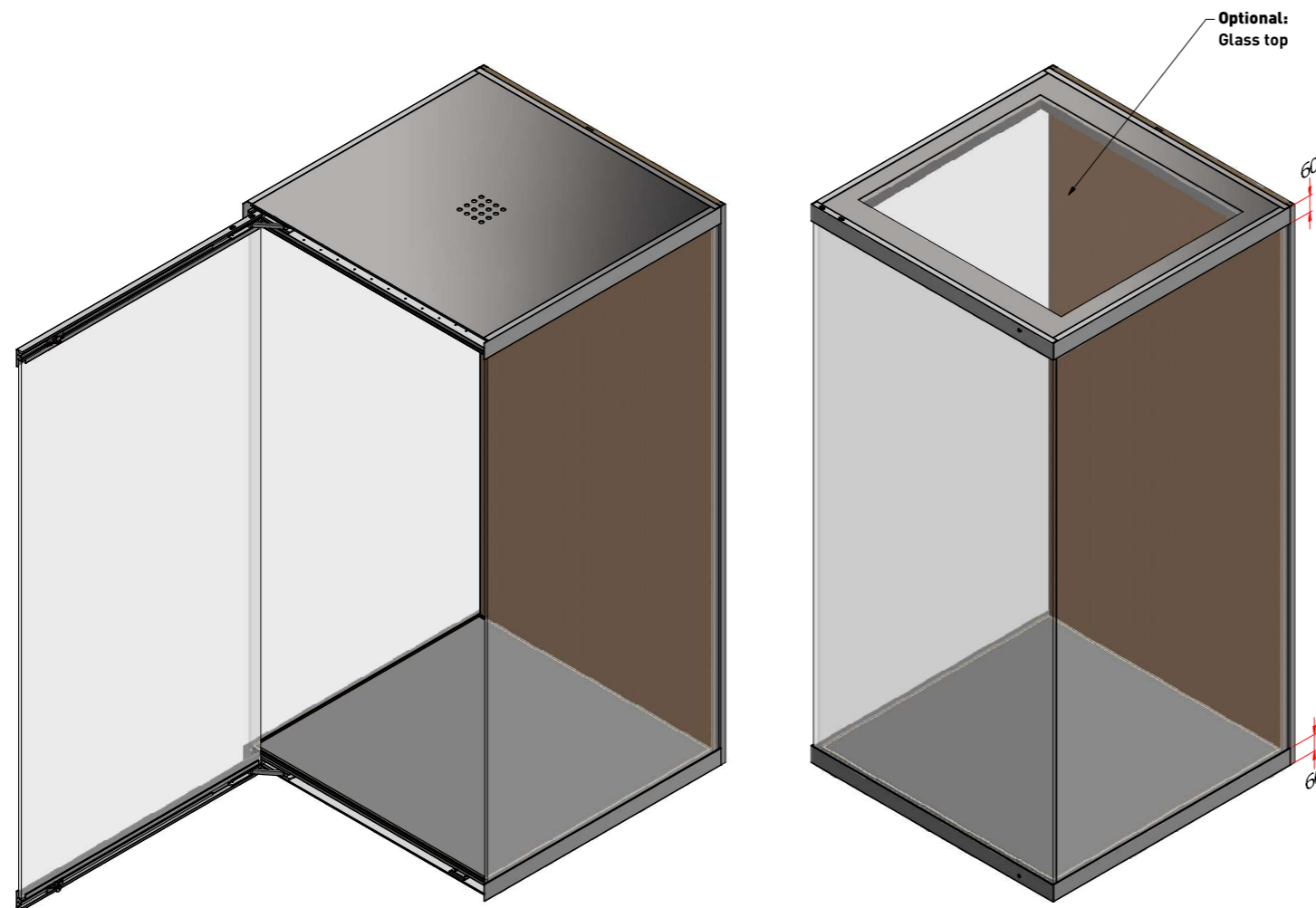
Optional:

- Micro Climate AS 600 fan assisted silica gel system for larger volume showcases

Typical configuration



High security conservation showcase with hinged door
Glazed on 3 sides with solid back



Exterior frame finish:

- Polyester powder coated to any RAL colour

Glazing: All glazing supplied according to BS EN 356 (P4a)

- 11.5mm Low iron laminated glass

Optional:

- 11.5mm Low iron low reflective laminated glass

Interior dress panel:

- Fine roller painted ZFMDF (dacrylate sealed) to any RAL colour

Optional:

- Fabric finished to client's specification
- Folded metal finished to polyester powder coated to any RAL colour ref
- Corian
- Laminate finished to client's specification

Security:

- Abloy high security cam lock

Lighting:

- Low voltage LED lights

Shelving:

- Adjustable suspended system with 10mm toughened glass
- Adjustable cantilever system with 10mm toughened glass shelves

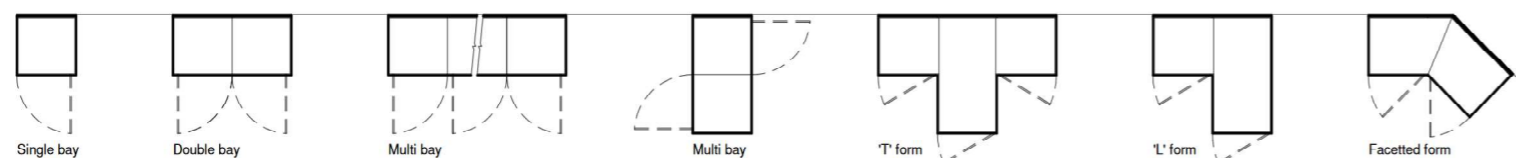
Conditioning:

- Lockable silica gel compartment

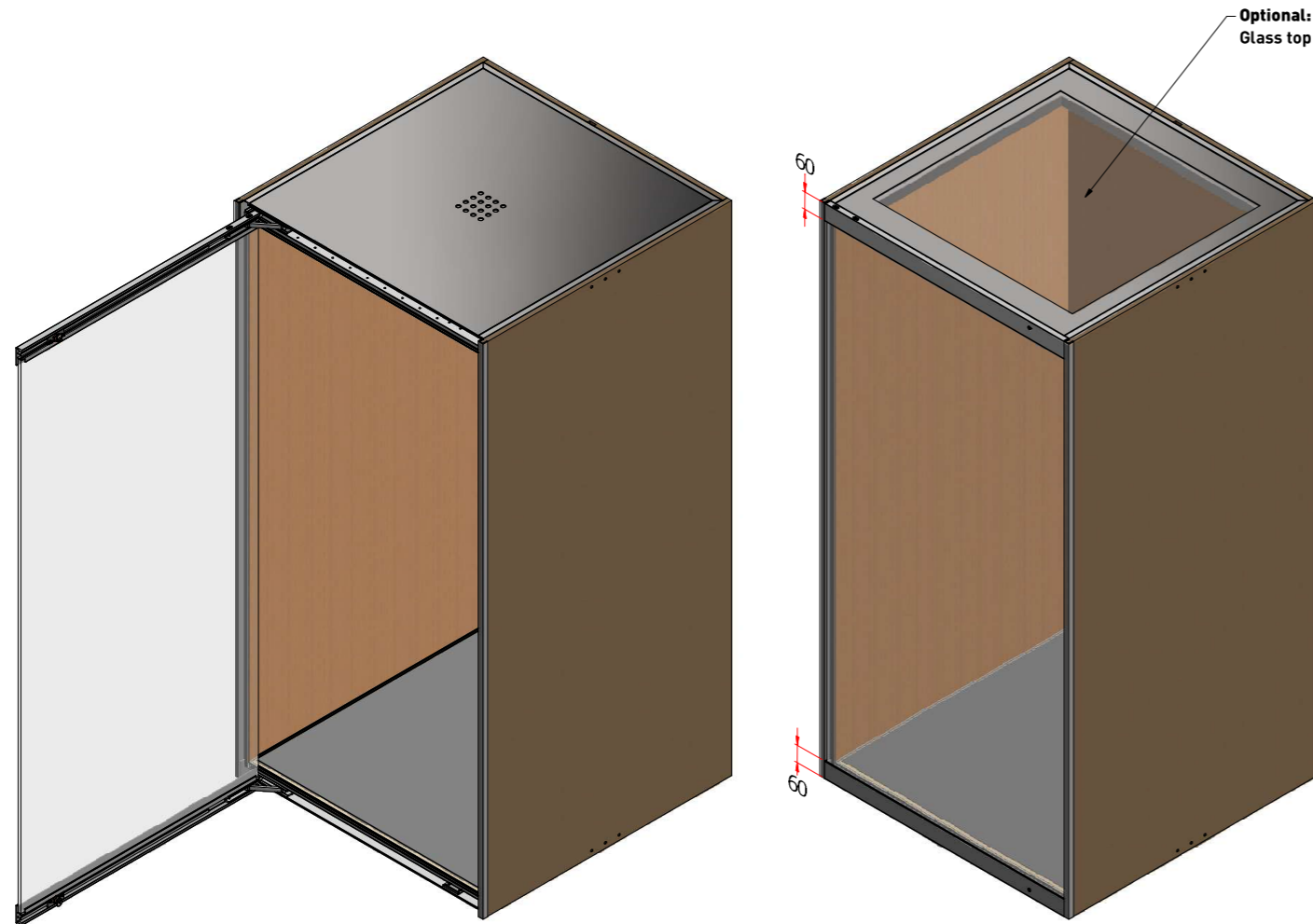
Optional:

- Micro Climate AS 600 fan assisted silica gel system for larger volume showcases

Typical configuration



High security conservation showcase with hinged door
 Glazed on 1 side with solid back and side panels



Exterior frame finish:

- Polyester powder coated to any RAL colour

Glazing: All glazing supplied according to BS EN 356 (P4a)

- 11.5mm Low iron laminated glass

Optional:

- 11.5mm Low iron low reflective laminated glass

Interior dress panel:

- Fine roller painted ZFMDF (dacrylate sealed) to any RAL colour

Optional:

- Fabric finished to client's specification
- Folded metal finished to polyester powder coated to any RAL colour ref
- Corian
- Laminate finished to client's specification

Security:

- Abloy high security cam lock

Lighting:

- Low voltage LED lights

Shelving:

- Adjustable suspended system with 10mm toughened glass
- Adjustable cantilever system with 10mm toughened glass shelves

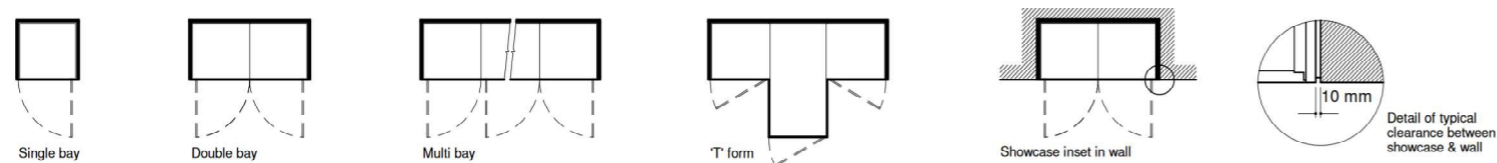
Conditioning:

- Lockable silica gel compartment

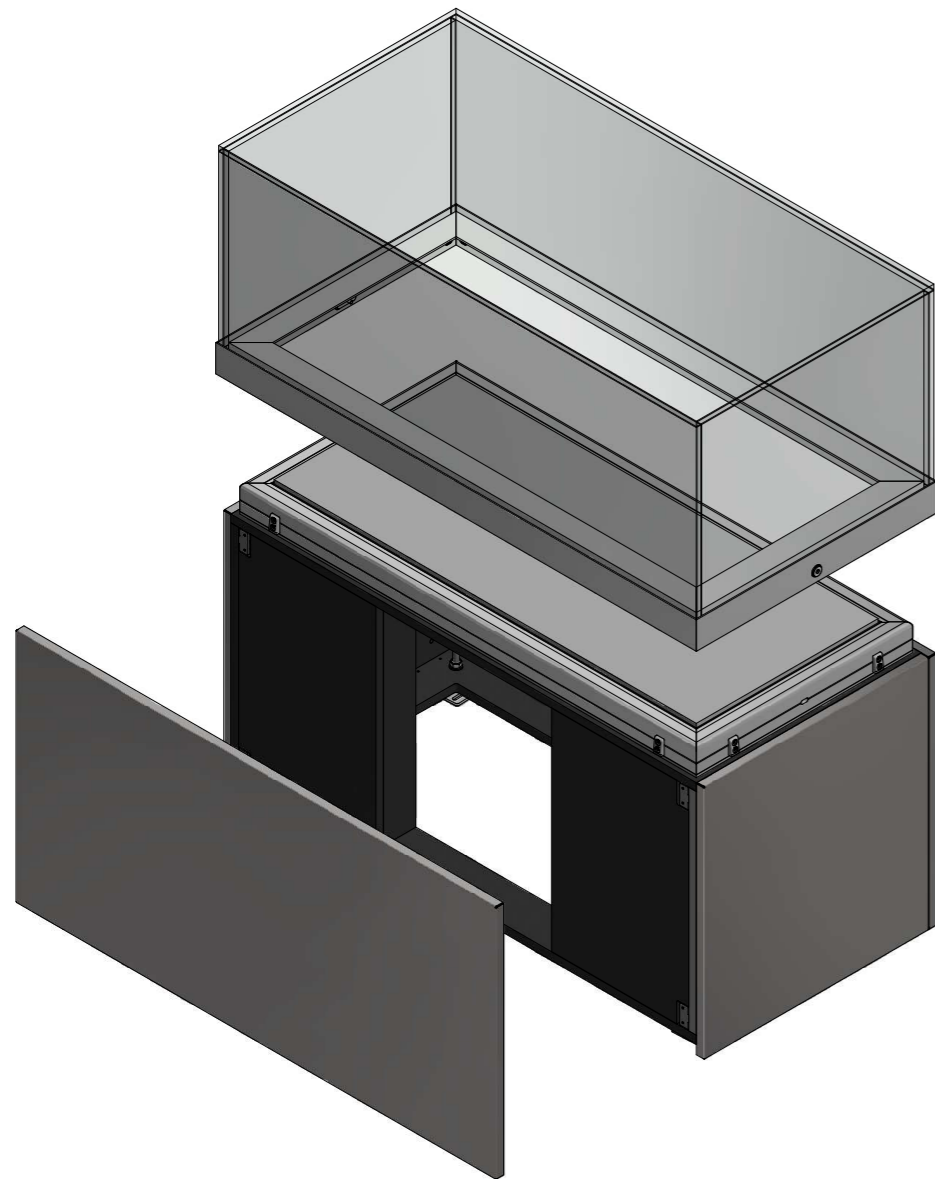
Optional:

- Micro Climate AS 600 fan assisted silica gel system for larger volume showcases

Typical configuration



Plinth top high security conservation showcase - Lift-Off canopy
 Glazed on 5 sides



Exterior frame finish:

- Polyester powder coated to any RAL colour

Glazing: All glazing supplied according to BS EN 356 (P4a)

- 11.5mm Low iron laminated glass

Optional:

- 9.5mm Low iron low reflective laminated glass
- 11.5mm Low iron low reflective laminated glass

Interior dress panel:

- Fine roller painted ZFMDf (dacrylate sealed) to any RAL colour

Optional:

- Fabric finished to client's specification
- Folded metal finished to polyester powder coated to any RAL colour ref
- Corian
- Laminate finished to client's specification

Security:

- Abloy high security push lock

Lighting:

- Low voltage LED lights

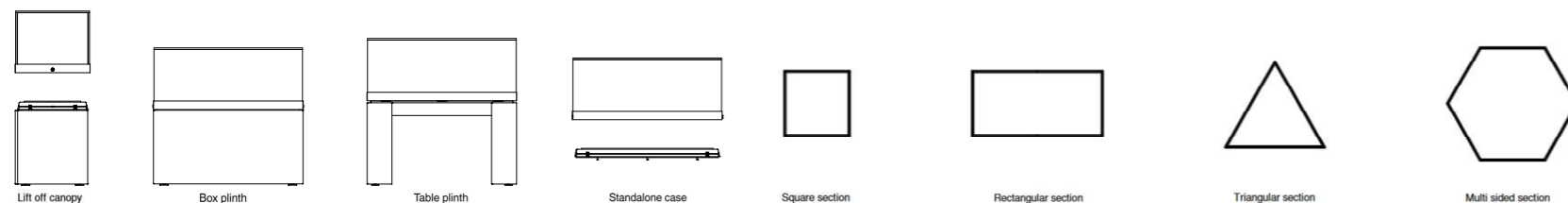
Conditioning:

- Lockable silica gel compartment

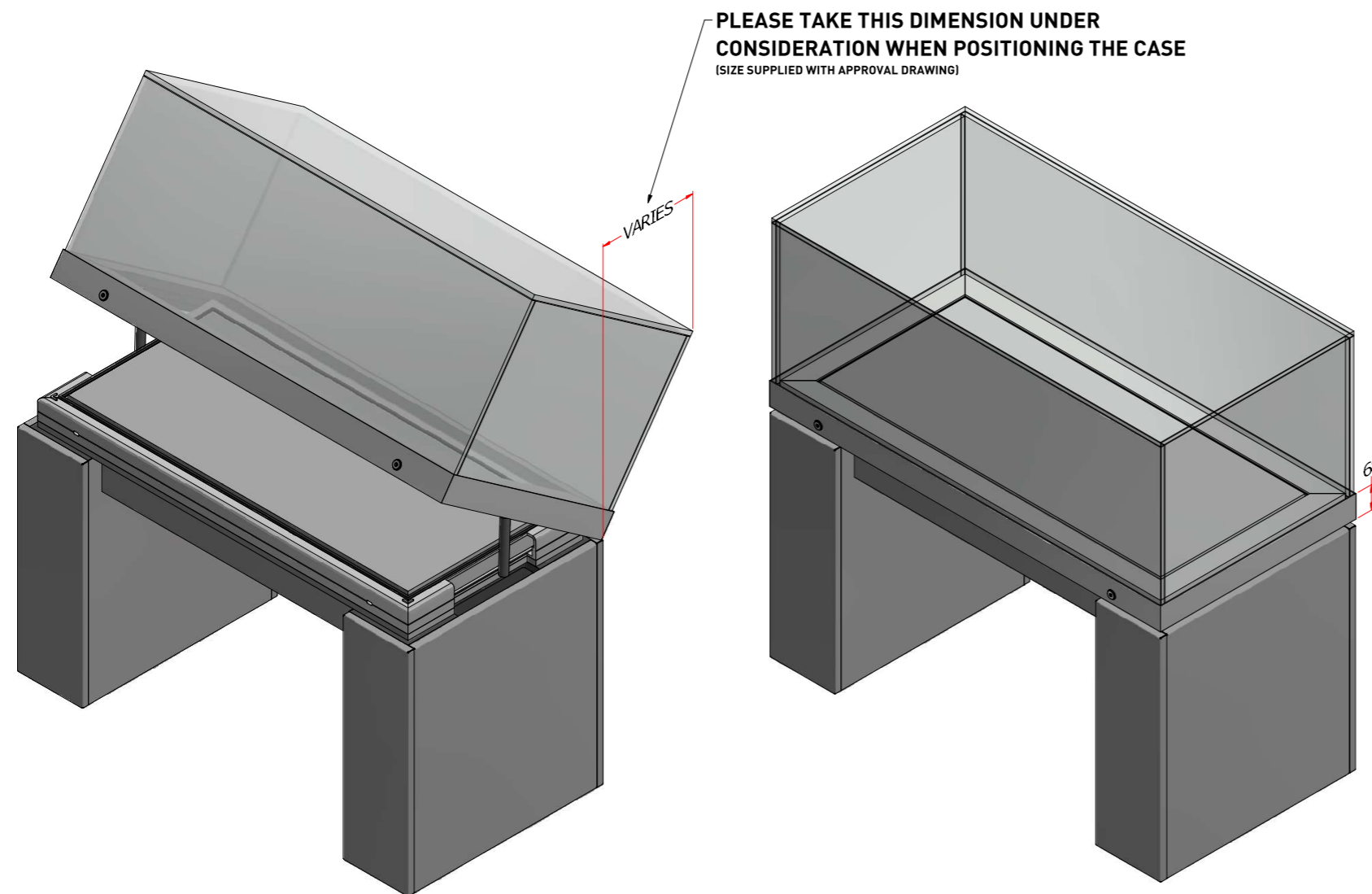
Optional:

- Micro Climate AS 600 fan assisted silica gel system for larger volume showcases

Typical configuration



Plinth top high security conservation showcase - Gas spring assisted hinged canopy
 Glazed on 5 sides



Exterior frame finish:

- Polyester powder coated to any RAL colour

Glazing: All glazing supplied according to BS EN 356 (P4a)

- 11.5mm Low iron laminated glass

Optional:

- 9.5mm Low iron low reflective laminated glass
- 11.5mm Low iron low reflective laminated glass

Interior dress panel:

- Fine roller painted ZFMDf (dacrylate sealed) to any RAL colour

Optional:

- Fabric finished to client's specification
- Folded metal finished to polyester powder coated to any RAL colour ref
- Corian
- Laminate finished to client's specification

Security:

- Abloy high security push lock

Lighting:

- Low voltage LED lights

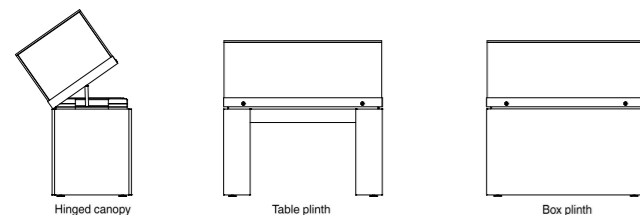
Conditioning:

- Lockable silica gel compartment

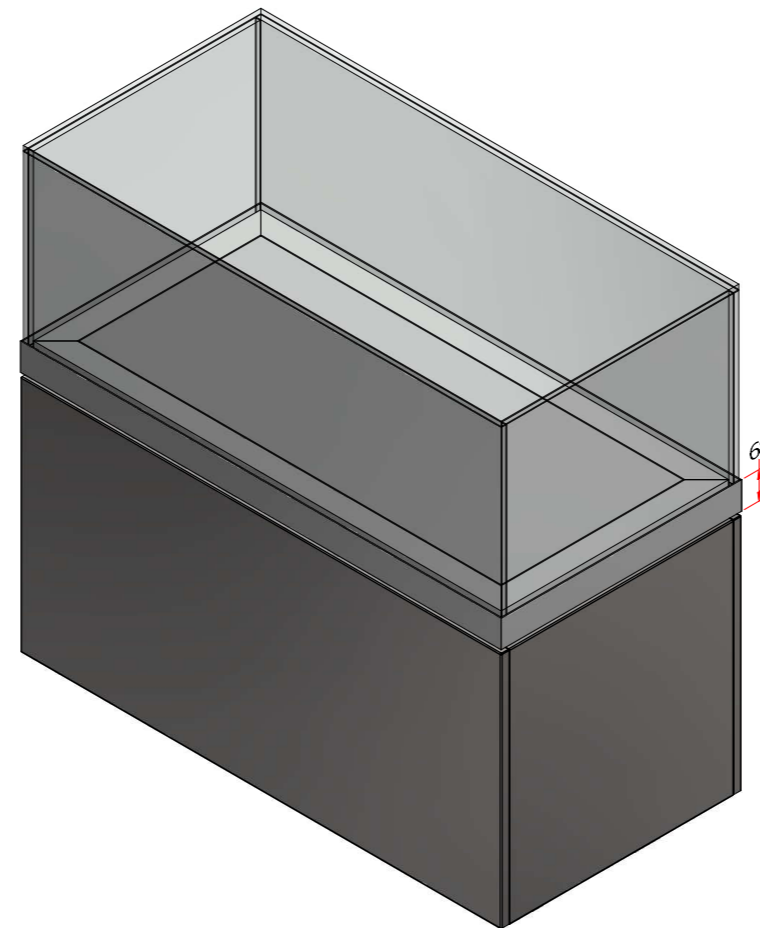
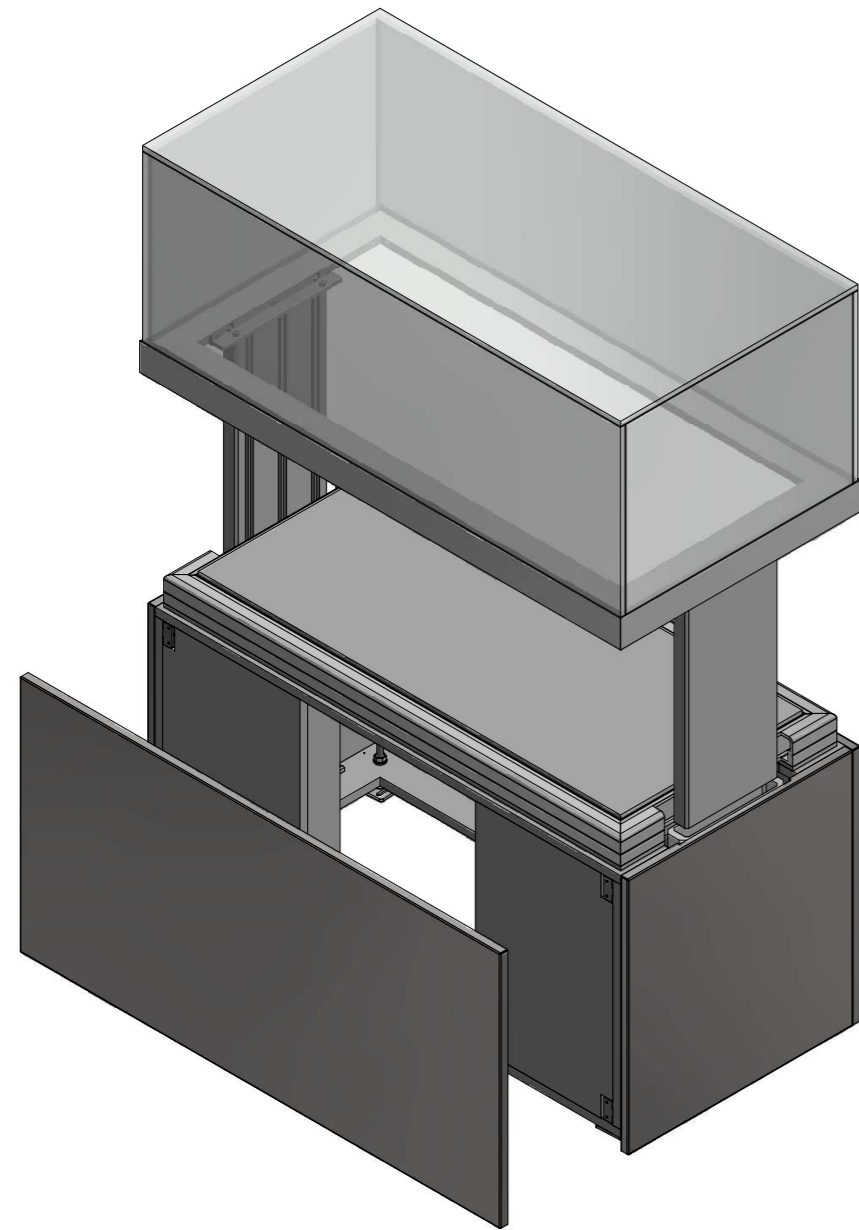
Optional:

- Micro Climate AS 600 fan assisted silica gel system for larger volume showcases

Typical configuration



Plinth top high security conservation showcase - Electrically operated canopy
Glazed on 5 sides



Exterior frame finish:

- Polyester powder coated to any RAL colour

Glazing: All glazing supplied according to BS EN 356 (P4a)

- 11.5mm Low iron laminated glass

Optional:

- 9.5mm Low iron low reflective laminated glass
- 11.5mm Low iron low reflective laminated glass

Interior dress panel:

- Fine roller painted ZFMDF (dacrylate sealed) to any RAL colour

Optional:

- Fabric finished to client's specification
- Folded metal finished to polyester powder coated to any RAL colour ref
- Corian
- Laminate finished to client's specification

Security:

- Abloy high security push lock

Lighting:

- Low voltage LED lights

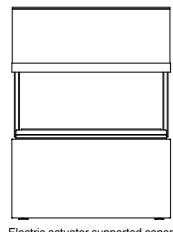
Conditioning:

- Lockable silica gel compartment

Optional:

- Micro Climate AS 600 fan assisted silica gel system for larger volume showcases

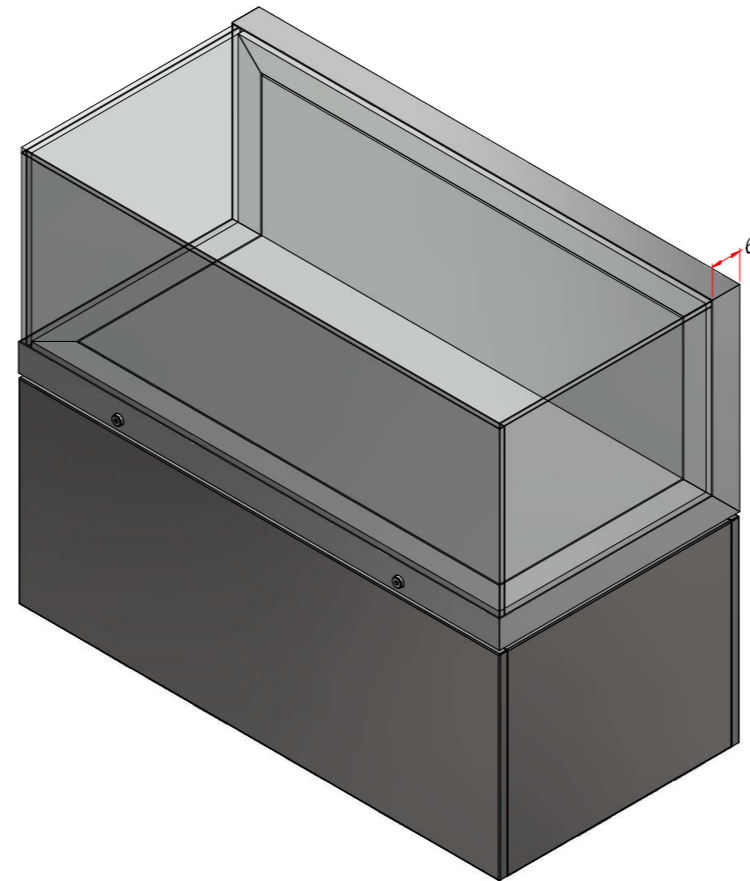
Typical configuration



Electric actuator supported canopy

VISION HINGED SOLID BACK

Plinth top high security conservation showcase - Hinged canopy
Glazed on 4 sides with solid back



Exterior frame finish:

- Polyester powder coated to any RAL colour

Glazing: All glazing supplied according to BS EN 356 (P4a)

- 11.5mm Low iron laminated glass

Optional:

- 9.5mm Low iron low reflective laminated glass
- 11.5mm Low iron low reflective laminated glass

Interior dress panel:

- Fine roller painted ZFMDf (dacrylate sealed) to any RAL colour

Optional:

- Fabric finished to client's specification
- Folded metal finished to polyester powder coated to any RAL colour ref
- Corian
- Laminate finished to client's specification

Security:

- Abloy high security push lock

Lighting:

- Low voltage LED lights

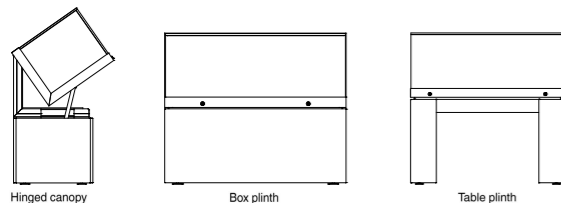
Conditioning:

- Lockable silica gel compartment

Optional:

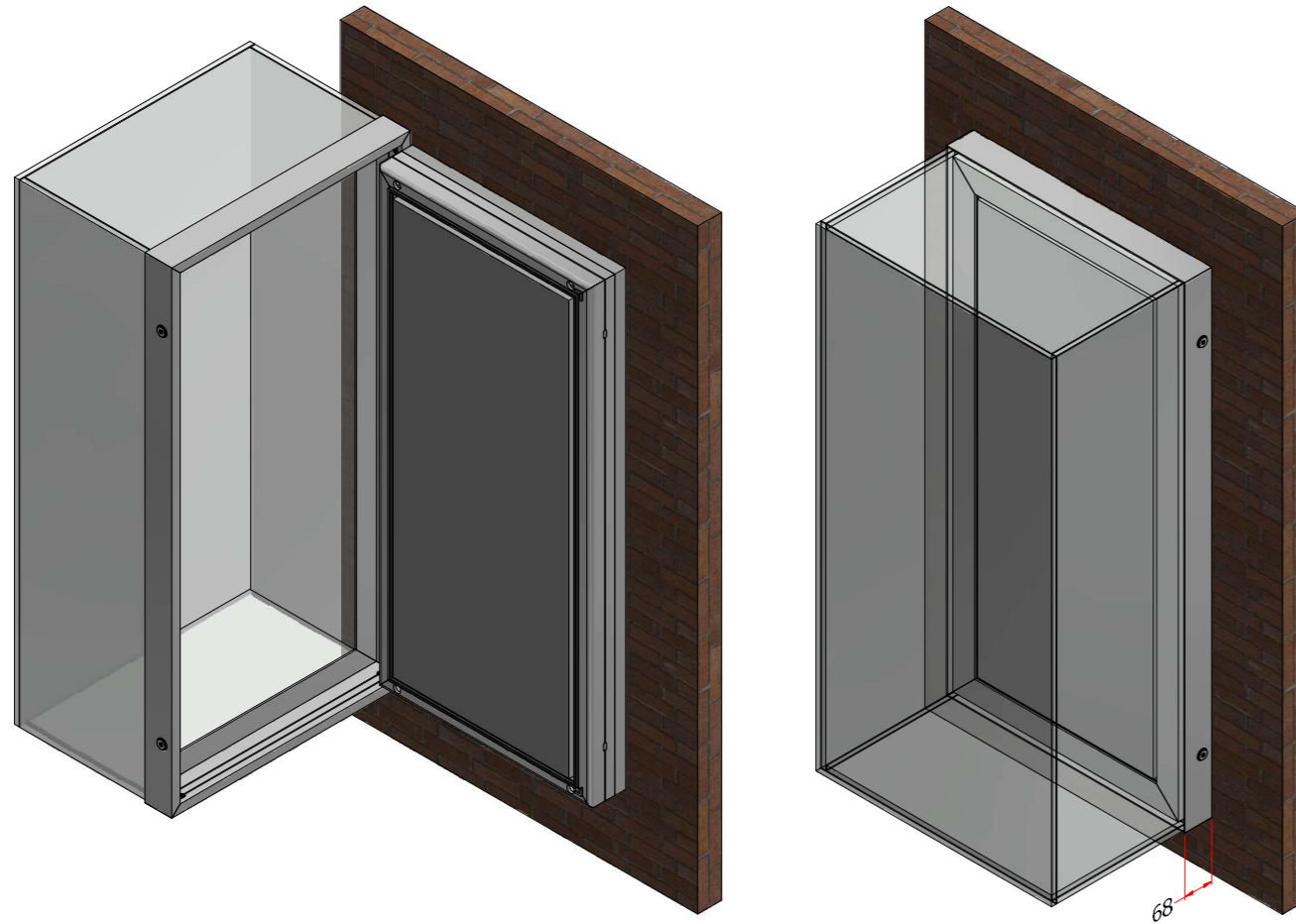
- Micro Climate AS 600 fan assisted silica gel system for larger volume showcases

Typical configurations



VISION WALL MOUNTED

Wall mounted high security conservation showcase - Hinged canopy
Glazed on 5 sides



Exterior frame finish:

- Polyester powder coated to any RAL colour

Glazing: All glazing supplied according to BS EN 356 (P4a)

- 11.5mm Low iron laminated glass

Optional:

- 9.5mm Low iron low reflective laminated glass
- 11.5mm Low iron low reflective laminated glass

Interior dress panel:

- Fine roller painted ZFMDF (dacrylate sealed) to any RAL colour

Optional:

- Fabric finished to client's specification
- Folded metal finished to polyester powder coated to any RAL colour ref
- Corian
- Laminate finished to client's specification

Security:

- Abloy high security push lock

Lighting:

- Low voltage LED lights

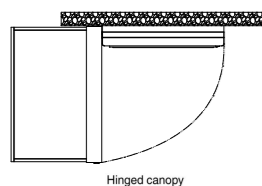
Conditioning:

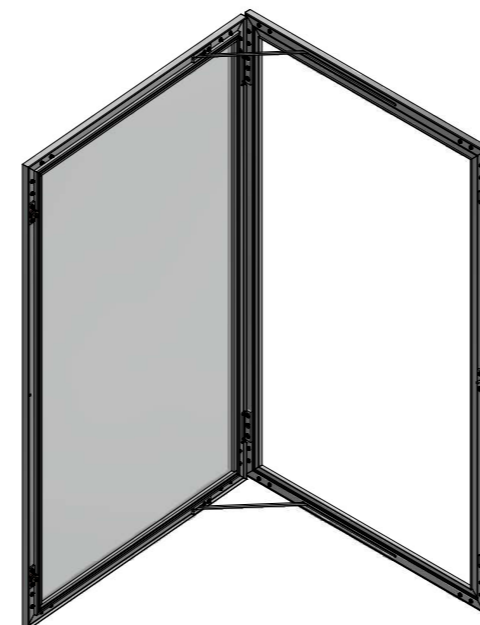
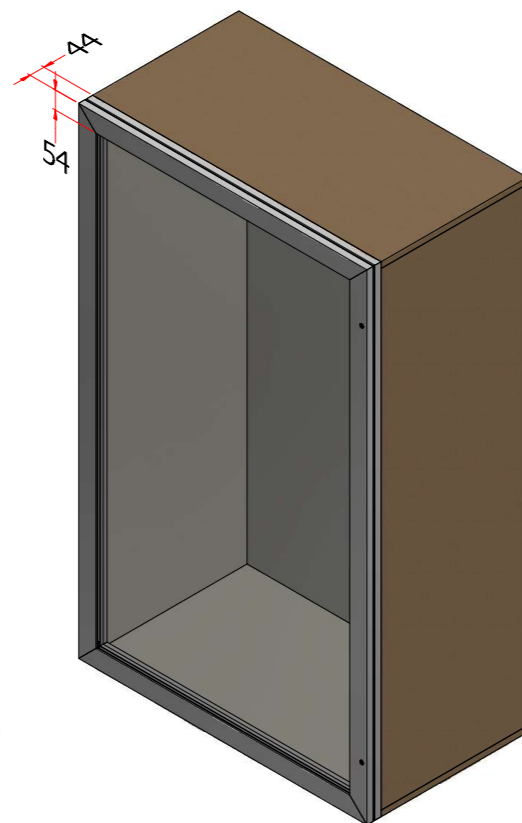
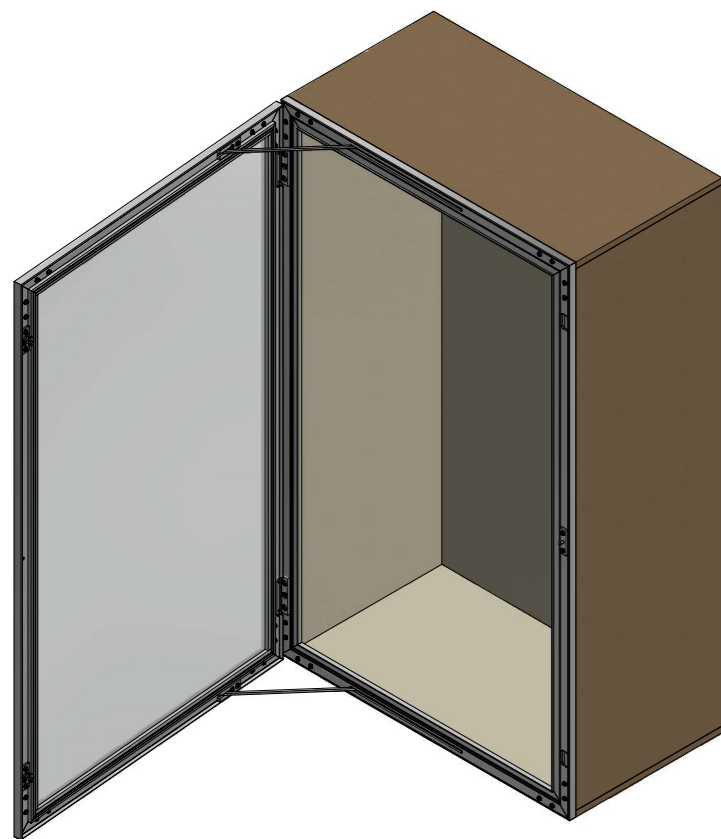
- Lockable silica gel compartment

Optional:

- Micro Climate AS 600 fan assisted silica gel system for larger volume showcases

Typical configuration





Door only (fixed to client structure/wall)

Exterior frame finish:

- Polyester powder coated to any RAL colour

Glazing: All glazing supplied according to BS EN 356 (P4a)

- 9.5mm Low iron laminated glass

Optional:

- 9.5mm Low iron low reflective laminated glass
- 11.5mm Low iron laminated glass
- 11.5mm Low iron low reflective laminated glass

Interior dress panel:

- Fine roller painted ZFMDF (dacrylate sealed) to any RAL colour

Optional:

- Fabric finished to client's specification
- Folded metal finished to polyester powder coated to any RAL colour ref
- Corian
- Laminate finished to client's specification

Security:

- Abloy high security cam lock

Lighting:

- Low voltage LED lights

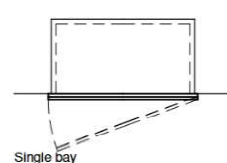
Conditioning:

- Lockable silica gel compartment

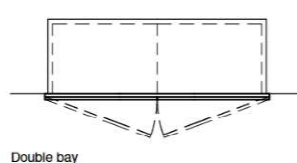
Optional:

- Micro Climate AS 600 fan assisted silica gel system for larger volume showcases

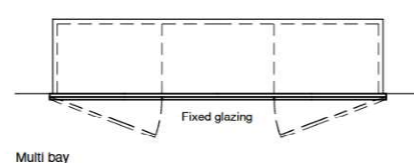
Typical configurations



Single bay

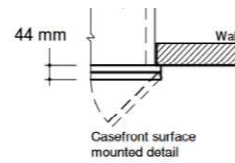


Double bay

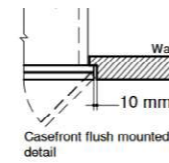


Multi bay

Fixed glazing

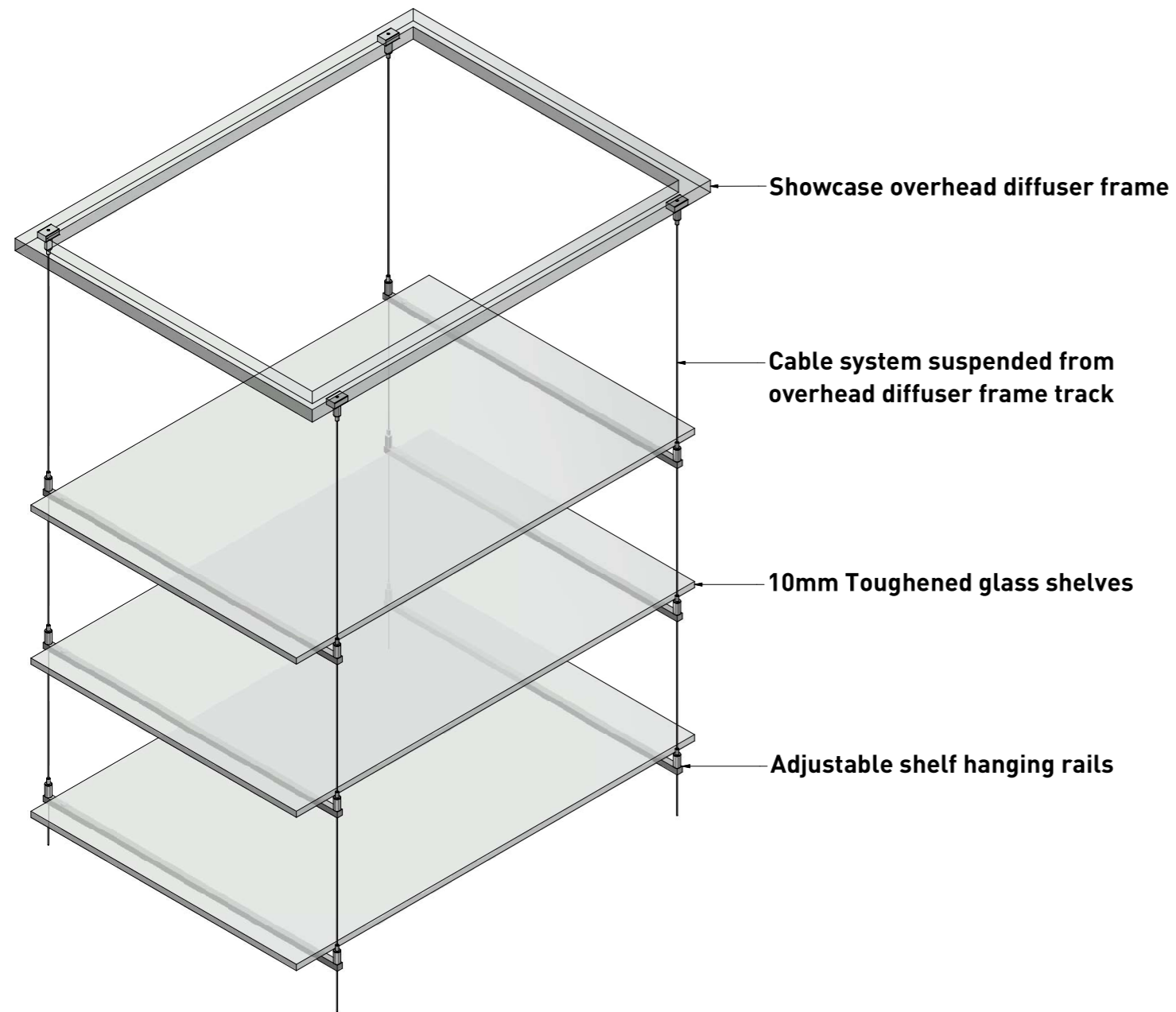


Casefront surface mounted detail

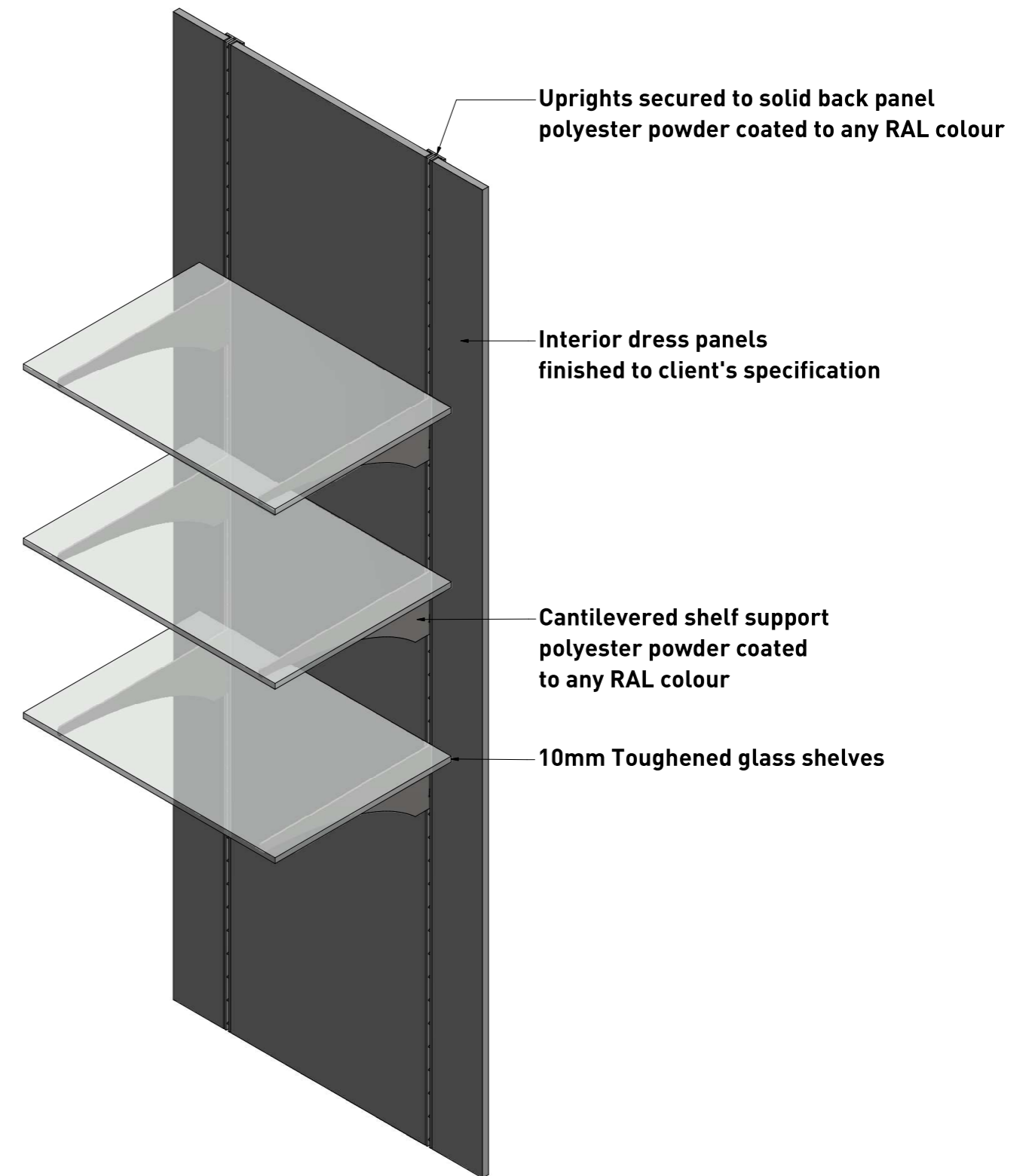


Casefront flush mounted detail

Suspended



Cantilever





Dellner Glass Solutions
Lichfield Rd
Tamworth
B79 7TL
GREAT BRITAIN

www.dellnerglass.co.uk
showcase@percy-lane.co.uk

+44 (0)1827 63821